

HDC-PIR2.4M-3.7



2.4 Megapixel 1080P HD 4 In 1 Motion Detector Camera SUPPORTS TVI, CVI AND AHD



Features

- 1/2.8" 2.4 Megapixel CMOS
- 1080P@25, 1080P@30
- Long Distance, No delay
- Support ICR auto switch
- Support AHD/ CVI/ TVI/ Analog transfer

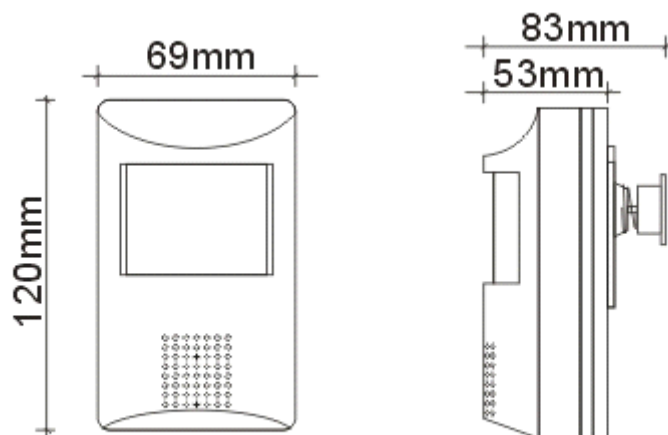
HDC-PIR2.4M-3.7



Technical Specifications

Camera	
Image Sensor	1/2.8" 2.4 Megapixel CMOS
Effective Pixel	1920(H)×1080(V)
Video Frame Rate	PAL:25fps@1080P NTSC:30fps@1080P
Electronic Shutter	PAL:1/50s~1/100,000s NTSC:1/50s~1/100,000s
Min.Illumination	0.01Lux@F1.2, (0Lux IR on)
OSD	Yes
Synchronization	Internal
TV system	PAL/NTSC
Lens	
Lens	3.7mm
General	
Power Supply	DC12V
Power Consumption	100mA
Working Temperature	-10° C~+50° C
Unit G.W.	0.3KG
Gift Box Size	270mm*205mm*100mm
Package/CTN	48PCS/CTN
CTN G.W.	14.5KG
Meas.	560*425*430mm

Dimensions (mm)



Winic Technologies USA Inc.

42 Central avenue, Farmingdale, New York 11735

Tel: +631-396-0800

Fax: +631-396-0805

Email:sales@winictech.com

www.winictech.com

*Design and specifications are subject to change without notice.