

CVI-BU221R-IR-ZD

2MP WDR HDCVI IR Bullet Camera



HDCVI



- 120dB true WDR, 3DNR
- Max 30fps@1080P
- HD and SD dual-output
- 2.7-12mm motorized lens
- Max. IR length 60m, Smart IR
- IP67, AC24V/DC12V

System Overview

CVI-BU221R-IR-ZD offers full HD 1080P video with the simplicity of using existing coaxial infrastructure. The camera features 120dB true WDR for applications under complex dynamic range and presents high quality image with clear details and accurate color rendition. It offers various motorized/fixed lens models with multi-language OSD and HD&SD dual-output. The outstanding performance and true WDR feature make the camera an ideal choice for mid to large-size business and common projects where both highly reliable surveillance and construction flexibility are concerned.



CVI-BU221R-IR-ZD

2MP WDR HDCVI IR Bullet Camera

Functions

4 Signals over 1 Coaxial Cable

HDCVI technology supports 4 signals to be transmitted over 1 coaxial cable simultaneously, i.e. video, audio*, data and power. Dual-way data transmission allows the HDCVI camera to interact with the HCVR, such as sending control signal or triggering alarm. Moreover, HDCVI technology supports PoC for construction flexibility.

* Audio input is available for some models of HDCVI cameras.

Long Distance Transmission

HDCVI technology guarantees long-distance and real-time transmission without any loss. It supports up to 800m for 1080P Full HD video via coaxial cable, and up to 300m via UTP cable.*

* Actual results verified by real-scene testing in Dahua's test laboratory.

Simplicity

HDCVI technology inherits the born feature of simplicity from traditional analog surveillance system, making itself a best choice for investment protection. HDCVI system can seamlessly upgrade the traditional analog system without replacing existing coaxial cabling. The plug and play approach enables full HD video surveillance without the hassle of configuring a network.

Wide Dynamic Range

Embedded with industry leading wide dynamic range (WDR) technology, vivid pictures are achieved even in the most intense contrast lighting conditions. True WDR (120dB) optimizes both the bright and dark areas of a scene at the same time to provide usable video.

Advanced 3DNR

3DNR is noise reduction technology that detects and eliminates random noises by comparing two sequential frames. Dahua's advanced 3DNR technology allows remarkable noise reduction with little impact to sharpness, especially under limited lighting condition. Besides, the advanced 3DNR effectively decreases the band width and saves the storage space.

Multi-outputs

The camera supports HDCVI and CVBS signal outputs simultaneously with two BNC connectors. Multi-outputs facilitates construction in such situations as debugging through a tester. It also offers the possibility for cooperating with multiple devices including analog matrix or monitor.

Smart IR

The camera is designed with array LED IR illumination for best lowlight performance. Smart IR is a technology to ensure brightness uniformity in B/W image under low illumination. Dahua's unique Smart IR adjusts to the intensity of camera's infrared LEDs to compensate for the distance of an object, and prevents IR LEDs from overexposing images as the object come closer to the camera.

Protection

The camera's outstanding reliability is unsurpassed due to its rugged design. The camera is protected against water and dust with IP67, making it suitable for indoor or outdoor environments.

Supporting $\pm 25\%$ input voltage tolerance, this camera suits even the most unstable power supply conditions. Its 4KV lightning rating provides protection against the camera and its structure from the effects of lightning.



CVI-BU221R-IR-ZD

2MP WDR HDCVI IR Bullet Camera

Technical Specification

Camera

Image Sensor	1/2.7" CMOS
Effective Pixels	1928(H)×1088(V), 2.1MP
Scanning System	Progressive
Electronic Shutter Speed	PAL: 1.3s~1/30000s NTSC: 1s~1/30000s
Minimum Illumination	0.03Lux/F1.4, 0Lux IR on
S/N Ratio	More than 65dB
IR Distance	Up to 60m (197feet)
IR On/Off Control	Auto / Manual
IR LEDs	4

Lens

Lens Type	Motorized lens / Fixed iris
Mount Type	Board-in
Focal Length	2.7-12mm
Max Aperture	F1.4
Angle of View	H: 99°~37°
Focus Control	Auto / Manual
Close Focus Distance	300mm 11.81"

Pan / Tilt / Rotation

Pan/Tilt/Rotation	Pan: 0° ~ 360° Tilt: 0° ~ 87° Rotation: 0° ~ 360°
-------------------	---

Video

Resolution	1080P (1920×1080)
Frame Rate	25/30fps@1080P, 25/30/50/60fps@720P
Video Output	1-channel BNC HDCVI high definition video output & 1-channel BNC CVBS video output
Day/Night	Auto (ICR) / Manual
OSD Menu	Multi-language
BLC Mode	BLC / HLC / WDR
WDR	120dB
Gain Control	AGC
Noise Reduction	2D / 3D
White Balance	Auto / Manual
Smart IR	Auto / Manual

Certifications

Certifications	CE (EN55032, EN55024, EN50130-4) FCC (CFR 47 FCC Part 15 subpartB, ANSI C63.4-2014) UL (UL60950-1+CAN/CSA C22.2 No.60950-1)
----------------	---

Interface

Audio Interface	N/A
-----------------	-----

Electrical

Power Supply	AC 24V±25% / DC 12V±25%
Power Consumption	Max 15.2W (12V DC, IR on)

Environmental

Operating Conditions	-30°C ~ +60°C (-22°F ~ +140°F) / Less than 90% RH * Start up should be done at above -30°C (-22°F)
Storage Conditions	-30°C ~ +60°C (-22°F ~ +140°F) / Less than 90% RH
Ingress Protection & Vandal Resistance	IP67

Construction

Casing	Aluminium
Dimensions	213.0mm×90.4mm×90.4mm (8.39"×3.56"×3.56")
Net Weight	0.59kg (1.30lb)
Gross Weight	0.72kg (1.59lb)

CVI-BU221R-IR-ZD

2MP WDR HDCVI IR Bullet Camera

Accessories

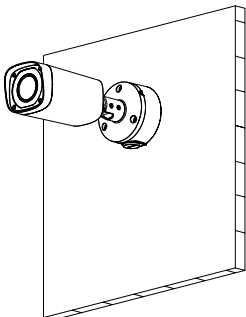
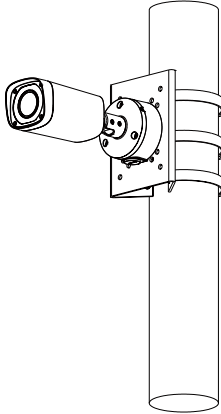
Optional:



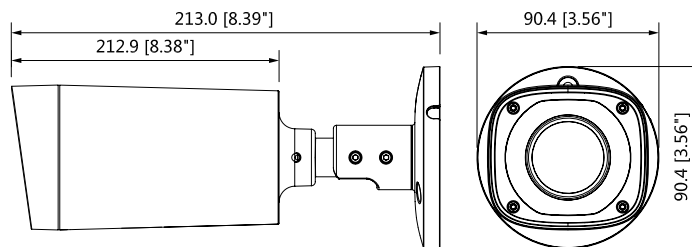
PFA135
Junction box



PFA150
Pole mount

Junction Mount	Pole Mount
PFA135	PFA135 + PFA150
	

Dimensions (mm/inch)



Winic Technologies USA Inc.

42 Central avenue, Farmingdale, New York 11735

Tel: +631-396-0800

Fax: +631-396-0805

Email: sales@winictech.com

www.winictech.com