

## HDC-LP800/2.4M/Z

### 2.4Megapixel 1080P HD Motorized Vari Focal LPR 4 In 1 Cameras



#### Features

- 1/3" 2.4Megapixel high-performance CMOS
- Analog HD output, up to 1080P resolution
- 6-22mm motorized vari-focal lens
- Rue Day/Night
- OSD menu, 3DNR
- True WDR, up to 120dB
- IR Led:  $\varnothing$  21X 2 super IR+2 super white light
- IP66 weatherproof
- Up the Coax(HIKVISION-C、TVT-COC)
- Support AHD/ CVI/ TVI/ CVBS/ Analog transfer



# HDC-LP800/2.4M/Z

## 2.4Megapixel 1080P HD Motorized Vari Focal LPR 4 In 1 Cameras

### Specifications

Camera	
Image Sensor	1/3" 2.4 MP CMOS Image Sensor
Signal System	PAL/NTSC
Effective Pixel	1944(H)×1092(V)
Min.Illumination	Color:0.1lux.BW:0.5lux.Color.DSS:0.017lux.BW DSS:0.0008lux
Shutter Time	PAL:1/50s~1/30,000s NTSC:1/60s~1/30,000s
Lens	Motorized VF lens: 6 - 22 mm
Lens Mount	∅ 21
Day/night	Auto/Color/B&W/EXTERN
Wide Dynamic Range	Yes(120dB)
Video Frame Rate	PAL:25fps@1080P/NTSC:30fps@1080P
HD Video Output	AHD/ CVI/ TVI/ CVBS(Long press the confirmation key switching TVI/AHD /CVI)
Synchronization	Internal
Noise Reduction	Off/Low/Middle/High
S/N Ratio	More than 50Db(AGC off)
Up the Coax	Support
Menu	
Auto White Balance	Auto/MWB
OSD	Yes
BLC	Support(all day /only night)
AGC	Support
language	English/Chinese/Korean.etc
Private Mask	On/off,maximum 16zones
Function	WDR;3DNR;Mirror;Digital Zoom;Defog;
General	
Power Supply	DC12V ± 15%
Power Consumption	1.5A
Working Temperature	-10° C~+45° C
Ingress Protection	IP66
Max.IR LEDs length	25-35m
Transmission Distance	Over 300m via 75-3 coaxial cable

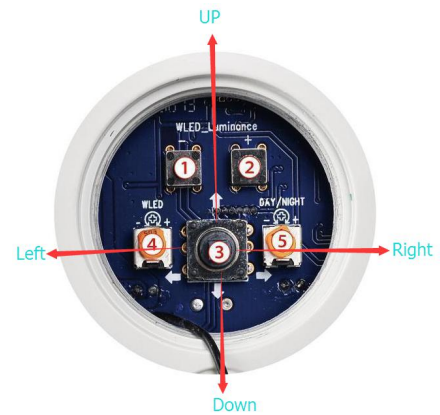
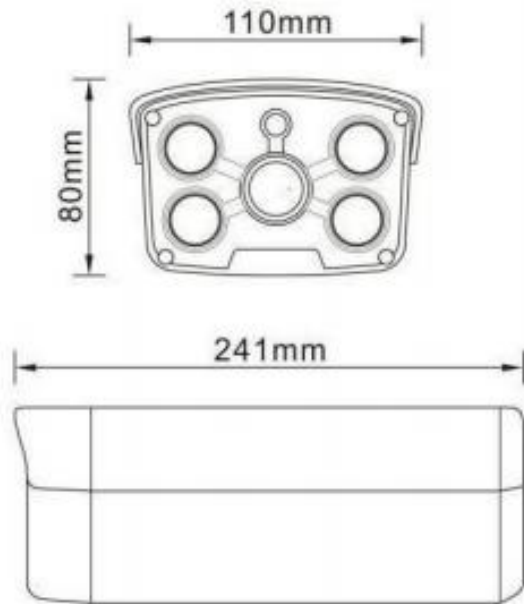
### Packing Information

Unit G.W.	1.5KG
Dimensions(W*D*H)	241mm*110mm*80mm
Package/CTN	12PCS/CTN
CTN G.W.	17.5KG
Meas.	605*423*37mm

# HDC-LP800/2.4M/Z

## 2.4Megapixel 1080P HD Motorized Vari Focal LPR 4 In 1 Cameras

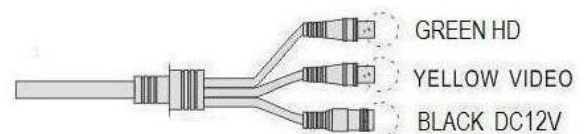
### Dimensions (mm)



### DVR PTZ



### MENU



- 1.The factory default output TVI.
- 2.Long press the confirmation key switching TVI AHD CVI.

# HDC-LP800/2.4M/Z

## 2.4Megapixel 1080P HD Motorized Vari Focal LPR 4 In 1 Cameras

### Installation instructions

It is a special smart camera for roads and parking lot entrances automobile license plate image acquisition. The machine is built-in night vision infrared lamp and white light. When vehicles come close, white light will open automatically to ensure clear color license plate image information is collected. When vehicles left, white light will automatically shut down, and infrared lamp will automatically open to continue monitoring the driveway and surrounding area. In order to ensure the machine can work normally, please read the following content carefully before installation.



Open the menu cover with provided tools according to direction shown

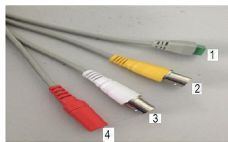


1. Continuous press, white light become weak
2. Continuous press, white light become strong
3. Motherboard OSD
4. White light photosensitive adjusting button
5. IR photosensitive adjusting button

- 1、 : According to the scene of the environment, continuous press on ① or ② to choose the best white light luminous intensity
- 2、 ③ is main menu, can change the motherboard Settings
- 3、 Adjust ⑤ according to the on-site environment to determine the infrared lamp and white light opening/closing of sensitivity , Adjust ④ can choose to confirm White-light opening/closing of sensitivity.



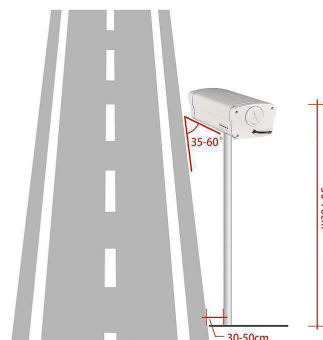
1. Bracket mounting holes
2. photosensitive switch



1. External signal input(3.3V-12V)
2. Video output
3. TVI output
4. power

- Selecting the appropriate monitoring focal length by adjusting the lens and focusing of the electric power
- PDon' t cover the photosensitive switch.(Away from bracket, 5-10 meters)Otherwise it will affect the infrared and white light open and close
- Input voltage is DC12 V, Max consumption current is 800 MA
- Infrared and white light is controlled by photosensitive switch built-in
- Or through left picture 1 connection terminal(positive/negative) to input external control signal(For example, from brake control box and sense controller) to control white light open and close (input voltage DC 3.3V-12V), This pattern has no requirement to installation angle and height.

### Installation Instruction



If through built-in photosensitive switch to control the opening of white light , please follow the above picture on site. The height from machine to ground please control between 50-70 cm, about same level of capture location (Camera about 15 degrees tilt angle down). The distance from lane is about 30-50 cm and lane Angle of about 35 to 60 degrees. For details, please adjust according to the actual environment.

### Winic Technologies USA Inc.

42 Central avenue, Farmingdale, New York 11735

Tel: +631-396-0800

Fax: +631-396-0805

Email:sales@winictech.com

www.winictech.com

\* Design and specifications are subject to change without notice.