

HDC-DI3A/2.4M-Z-(W(B)

2.4Megapixel 1080P HD Motorized Vari Focal 4 In 1 Cameras



Features

- 1/3" 2.4Megapixel high-performance CMOS
- Analog HD output, up to 1080P resolution
- 2.8-12mm motorized vari-focal lens
- Rue Day/Night
- OSD menu, 3DNR
- True WDR, up to 120dB
- IR Led: \varnothing 11X Super Led3IR
- IP66 weatherproof
- Up the Coax(HIKVISION-C、TVT-COC)
- Support AHD/ CVI/ TVI/ CVBS/ Analog transfer



HDC-DI3A/2.4M-Z-(W(B)

2.4Megapixel 1080P HD Motorized Vari Focal 4 In 1 Cameras

Specifications

Camera	
Image Sensor	1/3" 2.4 MP CMOS Image Sensor
Signal system	PAL/NTSC
Effective Pixel	1944(H)×1092(V)
Min. Illumination	Color:0.1lux.BW:0.5lux.Color.DSS:0.017lux.BW DSS:0.0008lux
Shutter Time	PAL:1/50s~1/30,000s/NTSC:1/60s~1/30,000s
Lens	Motorized VF lens: 2.8-12mm
Lens Mount	∅ 11
Day/night	Auto/Color/B&W/EXTERN
Wide Dynamic Range	Yes(120dB)
Video Frame Rate	PAL:25fps@1080P/NTSC:30fps@1080P
HD Video Output	AHD/ CVI/ TVI/ CVBS(Long press the confirmation key switching TVI/AHD /CVI)
Synchronization	Internal
Noise Reduction	Off/Low/Middle/High
S/N Ratio	More than 50Db(AGC off)
Up the Coax	Support
Menu	
Auto White Balance	Auto/MWB
OSD	Yes
BLC	Support(all day /only night)
AGC	Support
language	English/Chinese/Korean.etc
Private Mask	On/off,maximum 16zones
Function	WDR;3DNR;Mirror;Digital Zoom;Defog;
General	
Power Supply	DC12V±15%
Power Consumption	660mA
Working Temperature	-10° C~+45° C
Ingress Protection	IP66
Max.IR LEDs length	25-30m
Transmission Distance	Over 300m via 75-3 coaxial cable

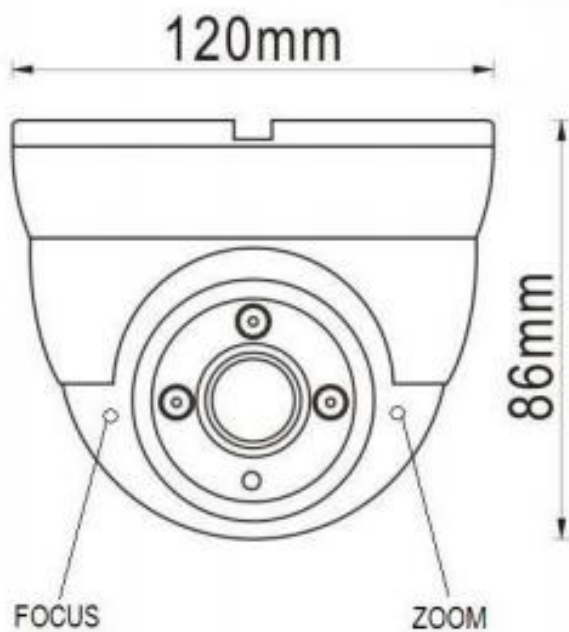
Packing Information

Unit G.W.	0.74KG
Dimensions	120mm*86mm
Package/CTN	24PCS/CTN
CTN G.W.	21KG
Meas.	661*337*385mm

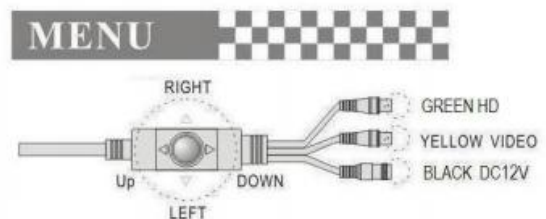
HDC-DI3A/2.4M-Z-(W(B)

2.4Megapixel 1080P HD Motorized Vari Focal 4 In 1 Cameras

Dimensions (mm)



DVR PTZ



- 1.The factory default output TVI.
- 2.Long press the confirmation key switching TVI AHD CVI.

Winic Technologies USA Inc.

42 Central avenue, Farmingdale, New York 11735

Tel: +631-396-0800

Fax: +631-396-0805

Email:sales@winictech.com

www.winictech.com