

## HDC-DI08/2M/2.8-W

### 2.4 Megapixel 1080P HD 4 In 1 Camera



- **1/2.7" 2.4Megapixel high-performance CMOS**
- **Analog HD output, up to 1080P resolution**
- **3.6mm lens**
- **Rue Day/Night**
- **8x IR 20ft**
- **OSD menu, 2DNR**
- **IP66 weatherproof**
- **Up the Coax(HIKVISION-C、TVT-COC)**
- **Support AHD/ CVI/ TVI/ CVBS/ Analog transfer**



# HDC-DI08/2M/2.8-W

## 2.4 Megapixel 1080P HD 4 In 1 Camera

### Specifications

Camera	
Image Sensor	1/2.7" 2.4 MP CMOS Image Sensor
Signal system	PAL/NTSC
Effective Pixel	1944(H)×1092(V)
Min.Illumination	Color:0.1lux.BW:0.5lux.Color.DSS:0.017lux.BW DSS:0.0008lux
Shutter Time	PAL:1/50s~1/10,000s/NTSC:1/60s~1/10,000s
Lens	3.6mm
Lens Mount	∅ 5
Day/night	Auto/Color/B&W/EXTERN          8x IR 20ft
Wide Dynamic Range	Yes(70dB)
Video Frame Rate	PAL:25fps@1080P/NTSC:30fps@1080P
HD Video Output	AHD/ CVI/ TVI/ CVBS(Long press the confirmation key switching TVI/AHD /CVI)
Synchronization	Internal
Noise Reduction	Off/Low/Middle/High
Up the Coax	Support
Menu	
Auto White Balance	Auto/MWB
OSD	Yes
language	English/Chinese/Korean.etc
General	
Power Supply	DC12V ± 10%
Power Consumption	300mA
Working Temperature	-10° C~+45° C
Ingress Protection	IP66
Max.IR LEDs length	5-8m
Transmission Distance	Over 300m via 75-3 coaxial cable

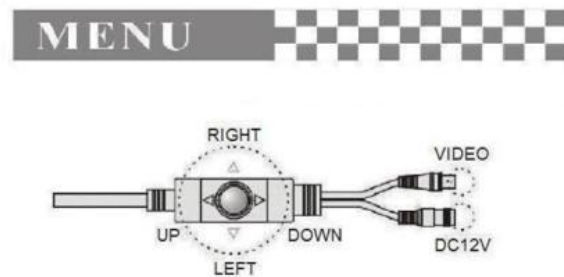
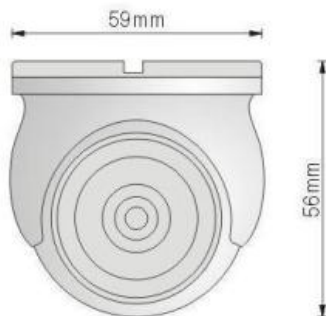
### Packing Information

Unit G.W.	0.172KG
Dimensions	59mm*56mm
Package/CTN	36PCS/CTN
CTN G.W.	10KG
Meas.	46.5*35*27.8mm

## HDC-DI08/2M/2.8-W

### 2.4 Megapixel 1080P HD 4 In 1 Camera

#### Dimensions (mm)



1. Long time (6 seconds) press the Right button to TVI ( Factory default output ).
2. Long time (6 seconds) press the left button to AHD .
3. Long time (6 seconds) press the up button to CVBS .
4. Long time (6 seconds) press the Down button to CVI .

#### Winic Technologies USA Inc.

42 Central avenue, Farmingdale, New York 11735

Tel: +631-396-0800

Fax: +631-396-0805

Email:sales@winictech.com

www.winictech.com

\* Design and specifications are subject to change without notice.