

AP112-OD

HD720P Turbo PTZ Dome Camera



Key Features

- 1/2.8" HD Progressive Scan CMOS
- 1280x720
- 23X Optical Zoom
- DWDR
- 3D intelligent positioning function
- Support Turbo HD and CVBS output

AP112-ODPTZ Dome Cameras are able to capture high quality images in low light environment with its black anti-reflective glass. Embedded with HD progressive scan CMOS chip makes WDR and 1MP/2MP real-time resolution possible. With the 23X optical zoom Day/Night lens, the camera offers more details over expansive areas.

AP112-OD

HD720P Turbo PTZ Dome Camera

Function Description

System function:

- *1/2.8" high performance CMOS, up to 1280x720 resolution*
- *$\pm 0.1^\circ$ Preset Accuracy*
- *Self-adaptive to HIKVISION, Pelco-P/D protocol*
- *3D intelligent positioning function*
- *Power-off memory function: restore PTZ & Lens status after reboot*
- *Built-in temperature sensor, with display of internal temperature*
- *Lightning protection, surge protection and voltage transient protection*
- *IP66 standard (outdoor dome)*
- *RS-485 communication diagnosis*
- *Scheduled PTZ movement*
- *UTC(Up the Coax) function*

Camera function:

- *Auto focus, auto white balance, backlight compensation and auto/manual day & night switch*
- *Privacy masks programmable*
- *3D DNR*
- *DWDR*

PTZ function:

- *360° endless pan range and 0° -90° tilt range*
 - *160° /s Pan Preset Speed and 120° /s Tilt Preset Speed*
 - *0.1° -160° /s Manual Pan Speed and 0.1° - 120°/s Manual Tilt Speed*
-
- *256 presets programmable; preset image freezing capability*
 - *8 patrols, up to 32 presets per patrol*
 - *4 patterns, with the total recording time not less than 10 minutes*
 - *Proportional zoom function*
 - *Park action: auto call up of PTZ movement, after a defined time of inactivity*

AP112-OD

HD720P Turbo PTZ Dome Camera

Model	AP112-OD
Camera Module	
Image Sensor	1/2.8" Progressive Scan CMOS
Min. Illumination	Color: 0.05Lux@(F1.4,AGC ON); B/W: 0.005Lux@(F1.4,AGC ON)
Max. Image Resolution	1280x720
Focal Length	4-92.0mm, 23x
Digital Zoom	Not support
Zoom Speed	Approx.3s(Optical Wide~Tele)
Angle of View	49-2.2 degree(Wide~Tele)
Min. Working Distance	10~1,000mm(Wide~Tele)
Aperture Range	F1.4-F3.5
Focus Mode	Auto / Semiautomatic / Manual
DWDR	Support
S / N Ratio	≥ 50dB
Shutter Time	1-1/10,000s
AGC	Auto / Manual
White Balance	Auto / Manual / ATW / Indoor / Outdoor
Day & Night	IR Cut Filter
Privacy Mask	8 privacy masks programmable; a maximum of 4 zones can be masked simultaneously on the same video screen
Enhancement	3D DNR, BLC
Pan and Tilt	
Range	Pan:360° endless; Tilt: 0°~90°(Auto Flip)
Speed	Pan Manual Speed: 0.1°~160°/s, Pan Preset Speed: 160°/s Tilt Manual Speed: 0.1°~120°/s, Tilt Preset Speed: 120°/s
Number of Preset	256
Patrol	8 patrols, up to 32 presets per patrol
Pattern	4 patterns, with the total recording time not less than 10 minutes
Park Action	Preset / Patrol / Pattern / Pan scan / Tilt scan / Panorama scan
Scheduled Task	Preset / Patrol / Pattern / Pan scan / Tilt scan / Panorama scan
RS-485 communication diagnosis	Support
Input/ Output	
Turbo HD Output	1 turbo HD720P/1080P output, 1.0V[p-p] / 75Ω, NTSC (or PAL) composite, BNC
CVBS Output	1.0V[p-p] / 75Ω, NTSC (or PAL) composite, BNC
Alarm Input	2
Alarm Output	1
RS-485 Interface	Half-duplex mode Self-adaptive HIKVISION, Pelco-P, Pelco-D protocol
UTC function	HIKVISION_C

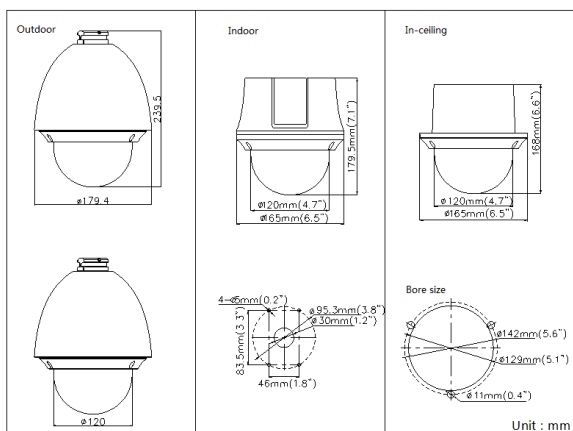
AP112-OD

HD720P Turbo PTZ Dome Camera

General

Menu Language	English
Power	24VAC Outdoor dome: Max. 18W (Heater On), Max. 12W(Heater Off) Indoor dome: Max.12W
Working Temperature / Humidity	-30 °C-65°C(-22°F-149°F) 90% or less
Protection Level	IP66 standard TVS 4,000V lightning protection, surge protection and voltage transient protection
Mounting	Various mounting modes optional
Dimensions	Φ185×330mm (Φ7.28"×12.99")
Weight (approx.)	4Kg (8.81lbs)
Mount Option (only suitable for outdoor dome)	Long-arm wall mount: DS-1602ZJ; Corner mount: 1602ZJ-corner; Pole Mount: 1602ZJ-pole; Power box mount:1602ZJ-box; Swan-neck mount: 1619ZJ

Dimensions



Accessories



Winic Technologies USA Inc.

42 Central Avenue, Farmingdale, New York 11735

Tel: +631-396-0800

Fax: +631-396-0805

Email: sales@winictech.com

www.winictech.com

Design and specifications are subject to change without notice.