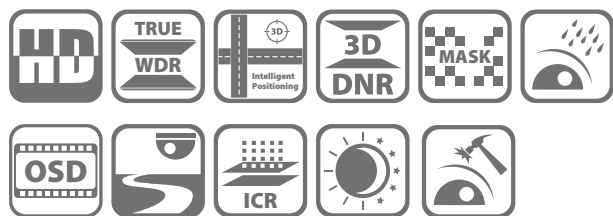


AP312-IR/AP313-IR

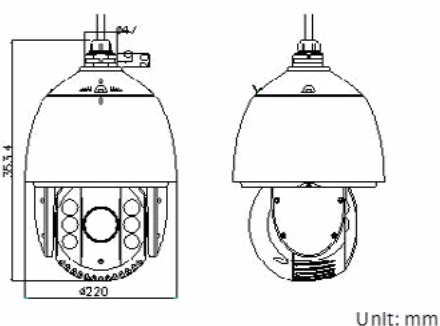
1080P TVI IR PTZ Dome Camera



Key features

- 2MP CMOS Image Sensor
- Full HD 1080P Video Output
- 23X / 30X optical zoom, 16X digital zoom
- Support up the coax function
- Privacy Masking, 3D DNR, D WDR, EIS
- 3D intelligent positioning
- True Day&Night

Dimensions



Unit: mm

Accessories



1601ZJ



1601ZJ-corner



1601ZJ-pole



1601ZJ-box

Available model

AP312-IR, 24VAC, outdoor

AP313-IR 24VAC, outdoor

Winic Technologies USA Inc.

42 Central Avenue, Farmingdale, New York 11735

Tel: +631-396-0800

Fax: +631-396-0805

Email: sales@winictech.com

www.winictech.com

	AP312-IR	AP313-IR
Camera		
Image Sensor	1 / 3" CMOS	
Effective Pixel	3270K	
Horizontal Resolution	1100TVL	
Signal System	PAL / NTSC	
Min. Illumination	Color: 0.2Lux@(F1.6,AGC ON) ; B / W: 0.02Lux@(F1.6,AGC ON)	
White Balance	Auto / Manual / ATW / Indoor / Outdoor	
AGC	Auto / Manual	
S / N Ratio	≥50dB	
3D DNR	Support	
Digital WDR	Support	
EIS	Support	
Backlight Compensation	Support	
Shutter Time	PAL: 1-1 / 10,000s; NTSC: 1-1 / 10,000s	
Day & Night	IR Cut Filter	
Digital Zoom	16x	
Privacy Mask	8 privacy masks programmable; a maximum of 8 zones can be masked simultaneously on the same video screen	
Focus Model	Auto / Semiautomatic / Manual	
Lens		
Focal Length	4-92mm, 23X	4-120mm, 30X
Zoom Speed	Approx.3.0s(Optical Wide-Tele)	Approx.3.0s(Optical Wide-Tele)
Angle of View	49-2.2 degree(Wide-Tele)	58-1.7 degree(Wide-Tele)
Min. Working Distance	10-1500mm (Wide-Tele)	
Aperture	F1.6-F3.7	F1.6-F4.4
Pan and Tilt		
Pan Range	360° endless	
Pan Speed	Pan Manual Speed: 0.1°-160° / s; Pan Preset Speed: 240° / s	
Tilt Range	-15°-90° (Auto Flip)	
Tilt Speed	Tilt Manual Speed: 0.1°-120° / s; Tilt Preset Speed: 200° / s	
Proportional Zoom	Rotation speed can be adjusted automatically according to zoom multiples	
Number of Preset	256	
Patrol	8 patrols, up to 32 presets per patrol	
Pattern	4 patterns, with the total recording time not less than 10 minutes	
Power-off Memory	Support	
Park Action	Preset / Patrol / Pattern / Pan scan / Tilt scan / Frame Scan / Random scan / Panorama scan	
PTZ Position Display	On / Off	
Preset Freezing	Support	
Scheduled Task	Preset / Patrol / Pattern / Pan scan / Tilt scan / Frame Scan / Random scan / Panorama scan	
RS-485 communication diagnosis	Support	
Infrared		
IR Distance	120m	
IR Intensity	Automatically adjusted, depending on the zoom ratio	
Input / Output		
Monitor Output	1.0V[p-p] / 75Ω, NTSC (or PAL) composite, BNC	
RS-485 Interface	Half-duplex mode; Self-adaptive HIKVISION, Pelco-P, Pelco-D protocol	
UTC function	Self-adaptive PELCO_C, HDCAM_C(need UTC controller)	
General		
Menu Language	English, Chinese	
Power	24VAC	
Working Temperature / Humidity	-30 °C-65°C(-22°F-149°F)(outdoor dome) 90% or less	
Protection Level	IP66 standard (outdoor dome) TVS 4,000V lightning protection, surge protection and voltage transient protection	
Mounting	Various mounting modes optional	
Dimensions	φ220×353.4mm (φ8.66"×13.91")(Outdoor)	
Weight (approx.)	5.5kg(12.13lbs)	