

# NP112-OD

## 2 Megapixel Mini PTZ Dome Network Camera



### Key features

#### System function:

- High performance CMOS, up to 1920x1080@30fps resolution
- $\pm 0.1^\circ$  Preset Accuracy
- ONVIF(Open Network Video Interface Forum), CGI(Common Gateway Interface), PSIA(Physical Security Interoperability Alliance), to ensure greater interoperability between different platforms and compatibility
- 3D intelligent positioning function
- Power-off memory function: restore PTZ & Lens status after reboot
- IP66 standard (outdoor model)
- Impact Protection: IEC60068-2-75 test, Eh, 5J; EN50102, up to IK08
- Support PoE+(802.3at)(outdoor model)
- Support cloud P2P

#### Smart function:

- Smart detection: intrusion detection, line crossing detection, audio exception detection
- Smart recording: edge recording, support smart search in smart NVR
- Smart image processing: defog
- Smart codec: low bit rate, ROI

#### PTZ function:

- 360° endless pan range and 5°-90° tilt range
- 160°/s Pan Preset Speed and 120°/s Tilt Preset Speed
- 0.1°-160°/s Manual Pan Speed and 0.1°-120°/s Manual Tilt Speed
- 300 presets programmable; preset image freezing capability
- 8 patrols, up to 32 presets per patrol

#### Network function:

- Built-in Web server
- Micro SD card local storage(SD card is optional)
- Support up to 8 NAS storage; Transmit the videos from SD card to the NAS after network resumed
- HTTPS encryption and IEEE 802.1x port-based network access control

# NP112-OD

## 2 Megapixel Mini PTZ Dome Network Camera

- Support dual-stream;H.264/MJPEG video compression; Basic and advanced video configuration; Real time video at 720P
- Multiple network protocols supported: IPv4/IPv6, TCP/IP, HTTP, DHCP, DNS, DDNS, RTP, RTSP, PPPoE, SMTP, NTP, UPnP, SNMP, FTP, 802.1X, QoS, HTTPS
- 1 audio input and 1 audio output
- 1 alarm input and 1 alarm output, alarm linkage support preset, patrol, pattern, recording, relay output, upload center, etc.

### Application Scenarios

It can be widely applied to places requiring wide-area monitoring and high-definition display, such as rivers, forests, highways, railways, airports, ports, sentries, squares, parks, scenic sites, streets, stations, large venues, outside of residential areas, etc.

### Specifications

Model		NP112-OD, 24VAC/PoE+, outdoor
Parameter		2 Megapixel Network Mini PTZ Dome Network Camera
<b>Camera</b>	Image Sensor	1/2.8" Progressive Scan CMOS
	Effective Pixel	1920(H) ×1080(V)
	Min. Illumination	Color : 0.05 lux (F1.6, 1/30 sec, 50 IRE, AGC On) B/W : 0.01 lux (F1.6, 1/30 sec, 50 IRE, AGC On)
	White Balance	Auto/Manual/ATW/Indoor/Outdoor/Daylight lamp/Sodium lamp
	AGC	Auto / Manual
	3D DNR	Support
	BLC	Support
	DWDR	Support
	Defog	Support
	Shutter Time	1/1-1/10,000s
	Day & Night	IR Cut Filter
	Digital Zoom	16X
	Privacy Mask	2 privacy masks programmable
	Focus Mode	Auto / Semiautomatic / Manual
<b>Lens</b>	Focal Length	4.7-94mm, 20x
	Zoom Speed	Approx.3s(Optical Wide-Tele)
	Angle of View	58.3-3.2 degree (Wide-Tele)
	Min. Working Distance	10-1000mm(Wide-Tele)
	Aperture Range	F1.6-F3.5
<b>Pan and Tilt</b>	Pan Range	360° endless
	Pan Speed	Pan Manual Speed: 0.1° -160°/s, Pan Preset Speed: 160°/s

# NP112-OD

## 2 Megapixel Mini PTZ Dome Network Camera



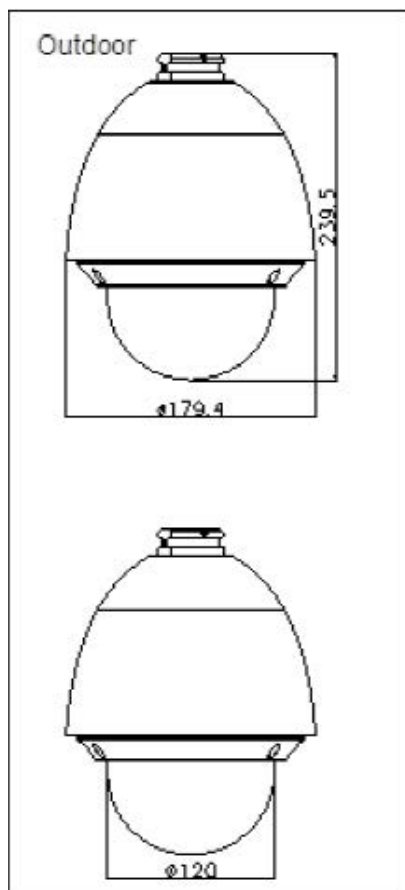
	Tilt Range	5°-90°(Auto Flip)
	Tilt Speed	Tilt Manual Speed: 0.1°-120°/s, Tilt Preset Speed: 120°/s
	Proportional Zoom	Rotation speed can be adjusted automatically according to zoom multiples
	Number of Preset	300
	Patrol	8 patrols, up to 32 presets per patrol
	Park action	Preset / Patrol / Pattern / Pan scan / Tilt scan / Random scan / Frame scan / Panorama scan
	Power-off Memory	Support
	PTZ Position Display	On / Off
	Preset Freezing	Support
	Scheduled Task	Preset / Patrol / Pattern / Pan scan / Tilt scan / Random scan / Frame scan / Panorama scan/Dome reboot/Self-test action
<b>Input/ Output</b>	Alarm Input	1 (0-5v DC)
	Alarm Output	1 relay output, alarm response actions configurable
	Alarm Trigger	Intrusion detection, Line crossing detection, Motion detection, Audio Exception Detection, Dynamic analysis, Tampering alarm, Network disconnect, IP address conflict, Storage exception
	Alarm Actions	Preset, Patrol, Pattern, Recording, Relay output, Upload center, upload FTP, email linkage
	Audio Input	1 audio input (Mic/Line in), 2-2.4V[p-p]; output impedance: 1KΩ, ±10%
	Audio Output	1 output, Line level, impedance: 600Ω
<b>Network</b>	Ethernet	10Base-T / 100Base-TX, RJ45 connector
	Max. Image Resolution	1920×1080
	Main Stream	50Hz: 25fps (1920×1080), 25fps (1280×720) 60Hz: 30fps (1920×1080), 30fps (1280×720)
	Sub Stream	50Hz:25fps(704×576), 25fps(352×288), 25fps(320×240) 60Hz:30fps(704×480), 30fps(352×240), 30fps(320×240)
	Image Compression	H.264/ MJPEG
	SVC	Support
	ROI encoding	Support 2 areas with adjustable levels
	Audio Compression	G.711/G.722/G.726/MP2L2
	Protocols	IPv4/ IPv6, TCP/IP, HTTP, DHCP, DNS, DDNS, RTP, RTSP, PPPoE, SMTP, NTP, UPnP/SNMP, FTP, 802.1X, QoS, HTTPS
	Number of Simultaneous Live View	Up to 20
	Dual Streams	Support
	Mini SD Memory Card	Built-in Micro SD card slot, up to 128GB, edge recording
	User/Host Level	Up to 32 users,3 Levels: Administrator, Operator and User
	Security Measures	User authentication (ID and PW), Host authentication (MAC address) IP address filtering
<b>System Integration</b>	Interface for application programming	Open-ended API, support Onvif, PSIA and CGI Support cloud P2P
	Web Browser	IE7+, Chrome18+, Firefox5.0+, Safari5.02+, support multi-language

# NP112-OD

## 2 Megapixel Mini PTZ Dome Network Camera

Power	-AE: 24VAC/PoE+(802.3at); -AE3: 24VAC/PoE(802.3af) -DE: 12VDC/PoE+(802.3at); -DE3: 12VDC/PoE(802.3af) Max. 18W
Working Temperature / Humidity	-30 °C-65 °C(-22°F-149°F)(outdoor dome) 90% or less
Impact Protection	Outdoor: IEC60068-275Eh, 5J; EN50102, up to IK08
Protection Level	IP66 standard (outdoor dome) TVS 4,000V lightning protection, surge protection and voltage transient protection
Mounting	Various mounting modes optional
Dimensions	Φ179.4×239.5mm (Φ7.06"×9.43")(Outdoor)
Net Weight (approx.)	2Kg (4.41lbs) (Outdoor)

### Dimensions



### Accessories



1601ZJ



1618ZJ



1661ZJ



1662ZJ