

1672ZJ

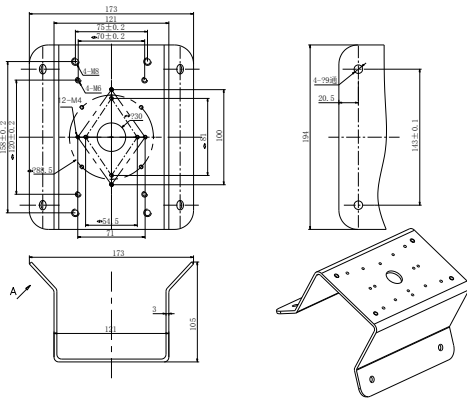
Corner Mount Bracket



Features:

- For corner mounting
- Add the field view angle of camera

Dimension:



Parameter:

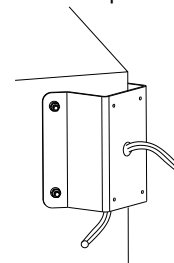
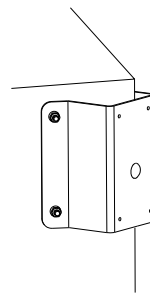
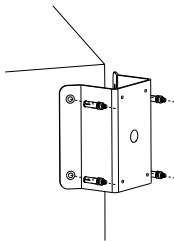
Model	1672ZJ
Parameter	Corner Mount Bracket
Appearance	Hikvision White
Range of Application	Adopted with some wall mount bracket
Dimension	194 × 173 × 105mm
Weight	1800g

Notice:

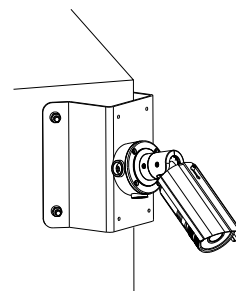
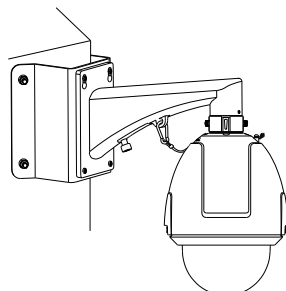
- The site of screw hole should be noticed when using with wall mount bracket
- The bracket should be installed on flat wall
- Load capacity of pole should be more than 3 times the weight of camera and bracket
- Load capacity of clamp is 10KG

Installation Step:

- ① Choose appropriate wall and install the bracket with expansion bolt
- ② Screw up and fix the bracket firmly
- ③ Complete the bracket installation and wiring for camera adoption



The bracket can be used with some wall mounting bracket, which is as followed:



Note: The actual bracket may vary from the picture above.