



HDC-DI2402M 2.8MM/B

2MP HD-4-In-1 Fixed Focus Eyeball Camera



Key Features

- **1/2.7" Sensor**
- **1080P@25, 1080P@30**
- **IR Distance: 25 ~ 30m**
- **Support ICR auto switch**
- **2.8mm Fixed Lens**
- **Support AHD/ CVI/ TVI/ Analog transfer**



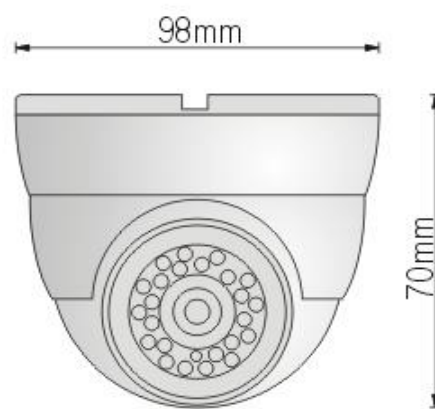
HDC-DI2402M 2.8MM/B

2MP HD-4-In-1 Fixed Focus Eyeball Camera

Specifications

Model	HDC-DI2402M 2.8MM/B
Camera	
Image Sensor	1/2.7" 2.4MP Sensor
Effective Pixels	1920(H)×1080(V)
Electronic Shutter	PAL:1/50s~1/100,000s NTSC:1/60s~1/100,000s
Min. Illumination	0.01Lux @ F1.2, (0Lux IR on)
Lens	2.8mm fixed lens
View Angle	100°-30.8°(H),64.5°-23.3°(V)
S/N Ratio	≥45dB(Max 70 dB)
Video Output	1.0Vp-p
White Balance	Auto adaptive(Range 2200~10000K)
WDR	N/A
AGC	Automatic / manual
BLC	Automatic / manual
DNR	2D
Image	
Compatibility	AHD / CVI / TVI / Analog
Encode Mode	CBR
Image Quality	Not adjustable under CBR
Resolution	1080P (1920×1080)
Video Frame Rate	PAL:25fps@1080P NTSC:30fps@1080P
Image Setting	Brightness, Contrast, Sharpness, DNR, Color gain, exposure, mode etc.
Functions	
Remote Monitoring	By monitoring the video recorder
Day & Night	Auto / Color / BW / EXT
IR Distance	Up to 30m
IR LED - count	24 IR
OSD Menu	Yes
Protection	IP66
Others	
Power supply	DC12V±10%
Power Consumption	660mA
Working Environment	-30℃ ~+60℃
Dimension	4.7" x 4.7" x 3.4" (120 x 120 x 86mm)
Weight	1.63LBS (0.74KG)

Dimensions



Winic Technologies USA Inc.

42 Central avenue, Farmingdale, New York 11735

Tel: +631-396-0800

Fax: +631-396-0805

Email:sales@winictech.com

www.winictech.com

*Design and specifications are subject to change without notice.