

## HDC-DI3A02/2M-2812-W (B) ECONOMIC VERSION

WINIC

2.4Megapixel 1080P HD Vari Focal 4 In 1 Camera



### Features4

- 1/3" 2.4 Megapixel CMOS
- IR Led:  $\varnothing$  10.8X Super Led3IR
- 1080P@25, 1080P@30
- Long Distance, No delay
- Support ICR auto switch
- Support AHD/ CVI/ TVI/ CVBS/Analog transfer



## HDC-DI3A/2M-2812-W (B)

### 2.4Megapixel 1080P HD Vari Focal 4 In 1 Camera

#### Specifications

Camera	
Image Sensor	1/3" 2.4 Megapixel CMOS
Effective Pixel	1944(H)×1092(V)
Video Frame Rate	PAL:25fps@1080P NTSC:30fps@1080P
Electronic Shutter	PAL:1/50s~1/300,000s NTSC:1/60s~1/300,000s
Min.Illumination	Color:0.1lux.BW:0.5lux.Color.DSS:0.017lux.BW DSS:0.0008lux
OSD	Yes
Synchronization	Internal
TV system	PAL
Lens	
Lens	2.8~12mm(DC lens)
General	
Power Supply	DC12V
Power Consumption	660mA
Working Temperature	-10°C~+45°C

#### Packing Information

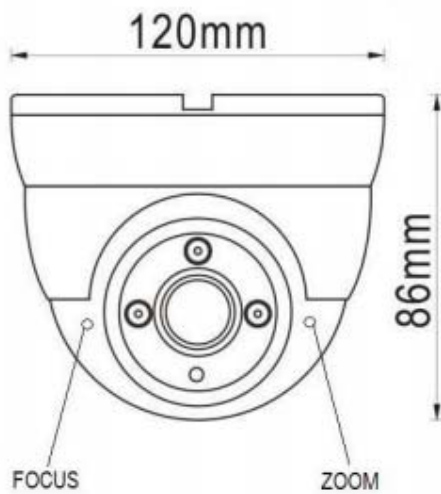
Unit G.W.	0.74KG
Dimensions	120mm*86mm
Package/CTN	24PCS/CTN
CTN G.W.	21KG
Meas.	661*337*385mm



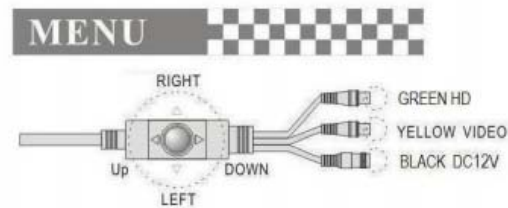
# HDC-DI3A/2M-2812-W (B)

## 2.4Megapixel 1080P HD Vari Focal 4 In 1 Camera

### Dimensions (mm)



DVR PTZ



- 1.The factory default output TVI.
- 2.Long press the confirmation key switching TVI AHD CVI.

### Winic Technologies USA Inc.

42 Central avenue, Farmingdale, New York 11735

Tel: +631-396-0800

Fax: +631-396-0805

Email:sales@winictech.com

www.winictech.com