

NC325-WDA/4mm



5MP CMOS ICR Infrared Network Mini Dome Camera



Key Features

- Up to 5 megapixel high resolution
- Auto-electronic shutter
- Dual video streams
- 4mm fixed lens
- Digital Wide Dynamic Range
- 3D Digital Noise Reduction
- 3-axis adjustment
- Support on-board storage, up to 128GB
- DC12V & PoE
- Up to 10m IR range
- IP67 weather-proof protection
- IK08 impact protection
- Reset button
- Audio/Alarm IO

NC325-WDA/4mm



5MP CMOS ICR Infrared Network Mini Dome Camera

Specifications

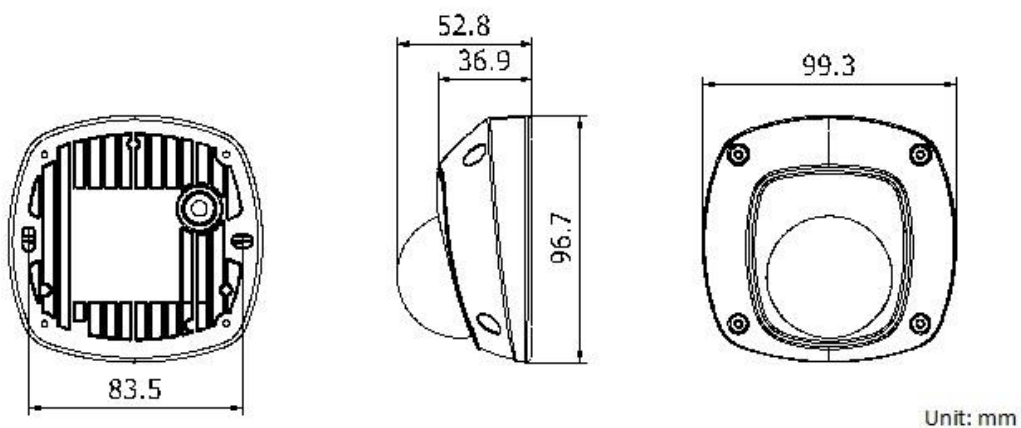
Camera	
Image Sensor	1/3" Progressive Scan CMOS
Min. Illumination	0.01Lux @ (F1.2, AGC ON), 0 Lux with IR
Shutter Speed	1/3 s to 1/100,000 s
Lens	4mm @ F2.0
Lens Mount	M12
Day & Night	IR cut filter with auto switch
DNR	3D DNR
Wide Dynamic Range	DWDR
Angle of adjustment	Pan: -30°-30°, Tilt: 0°-75°, Rotation: 0-360°
Compression Standard	
Video Compression	H.264+/H.264 / MJPEG
H.264 Type	Main Profile
Video Bit Rate	256 Kbps ~ 16 Mbps
Dual Streams	Support
Image	
Max. Resolution	2560×1920
Main Stream	50Hz: 20fps (2560×1920), 25fps (2048×1536), 25fps(1920×1080), 25fps(1280×720) 60Hz: 20fps (2560×1920), 30fps (2048×1536), 30fps(1920×1080), 30fps(1280×720)
Sub Stream	50Hz: 25fps (352×288, 640×480) 60Hz: 30fps (352×240, 640×480)
Others	Saturation, Brightness, Contrast adjustable by client software or web browser, Mirror, BLC, ROI, Dual Stream, Anti-Flicker, Privacy Mask,
Network	
Network Storage	NAS (Support NFS,SMB/CIFS), ANR
Detection	Motion Detection, Tampering Alarm, Intrusion Detection, Line Crossing Detection
Alarm Trigger	HDD Full, HDD Error, Network Disconnected, IP Address Conflicted, Illegal login
Protocols	TCP/IP, UDP, ICMP, HTTP, HTTPS, FTP, DHCP, DNS, DDNS, RTP, RTSP, RTCP, PPPoE, NTP, UPnP, SMTP, SNMP, IGMP, 802.1X, QoS, IPv6, Bonjour
Standard	ONVIF (PROFILE S, PROFILE G), PSIA, CGI, ISAPI
General Function	Password Protection, Privacy Mask, IP Address Filtering, Anonymous Access
Interface	
Communication Interface	1 RJ45 10M/100M Ethernet port
On-board Storage	Built-in Micro SD/SDHC/SDXC slot, up to 128GB
Alarm Interface	1x alarm I/O
Audio Interface	1x audio I/O
Reset	Yes

NC325-WDA/4mm

5MP CMOS ICR Infrared Network Mini Dome Camera

General	
Operating Conditions	-30 °C – 60 °C (-22 °F – 140 °F), Humidity 95% or less (non-condensing)
Power Supply	DC12V ± 25%, PoE (802.3af)
Power Consumption	Max. 5W
IR Range	Max. 9W with pan and tilt Max. 10 meters
Protection Level	IP67, IK8
Dimensions	99.3 × 96.7 × 52.8 mm (3.9" × 3.8" × 2.1")
Weight	600g (1.32lbs)

Dimension



Winic Technologies USA Inc.

42 Central Avenue, Farmingdale, New York 11735

Tel: +631-396-0800

Fax: +631-396-0805

Email: sales@winictech.com

www.winictech.com

Design and specifications are subject to change without notice.