

AC324-FB/P

2 MP PIR Bullet Camera



Key Features

- 2 MP high performance CMOS
- 1920 × 1080 resolution
- 2.8 mm, 3.6 mm fixed focal lens
- PIR detection, visual alarm
- EXIR 2.0, smart IR, up to 20 m IR distance
- IP67
- Up the coax (UTC-C)

AC324-FB/P

2 MP PIR Bullet Camera

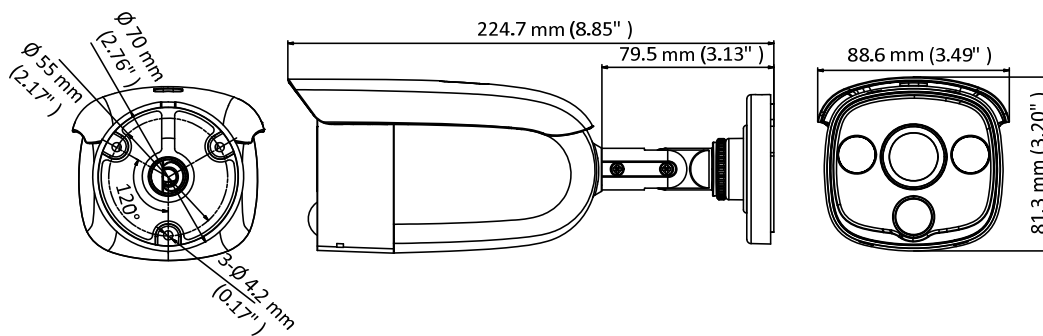
Specification

Camera	
Image Sensor	2.0 megapixel progressive scan CMOS
Signal System	PAL/NTSC
Frame Rate	PAL: 1080p@25fps NTSC: 1080p@30fps
Resolution	1920 (H) × 1080 (V)
Min. illumination	Color: 0.01 Lux @ (F1.2, AGC ON), 0 Lux with IR
Shutter Time	PAL: 1/25 s to 1/50, 000 s NTSC: 1/30 s to 1/50, 000 s
Lens	2.8 mm, 3.6 mm fixed focal lens
Horizontal Field of View	103° (2.8 mm), 82.2° (3.6 mm)
Lens Mount	M12
Visual Alarm	Yes
Day & Night	IR cut filter
Angle Adjustment	Pan: 0° to 360°, Tilt: 0° to 180°, Rotate: 0° to 360°
Synchronization	Internal synchronization
Menu	
White Light	Alarm/Lighting/Off
AGC	Low/middle/high
Day/Night Mode	Auto/Color/BW (Black and White)
White Balance	Auto/Manual
Backlight Compensation	Yes
Language	English
Functions	Brightness, Contrast, Sharpness, Saturation, DNR, Mirror
Interface	
Video Output	1 HD analog output
General	
Operating Conditions	-40 °C to 60 °C (-40 °F to 140 °F), humidity: 90% or less (non-condensation)
Power Supply	12 VDC ±25%
Power Consumption	Max. 4 W
Ingress Protection	IP67
Material	Metal
IR Range	Up to 20 m
White Light Range	Up to 20 m
PIR Range	Angle: 110°, Range:11 m
Communication	Up the coax, Protocol: UTC-C (TVI output)
Dimensions	88.6 mm × 81.3 mm × 224.7 mm (3.49" × 3.20" × 8.85")
Weight	Approx. 430 g (0.95 lb.)

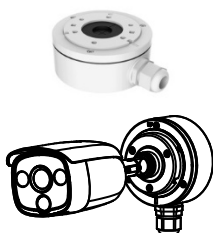
AC324-FB/P

2 MP PIR Bullet Camera

Dimension



Accessory



1280ZI-XS
Junction Box