

NC326-WDA 2.8mm

6 MP IR Fixed Mini Dome Network Camera



Key Features

- 3072 × 2048@20fps
- IR: Up to 10 m
- H.265+. H.265
- 120dB WDR
- Built-in MicroSD/SDHC/SDXC slot, up to 128G
- PoE
- Wi-Fi (Optional)
- BLC/3D DNR/HLC/ROI
- Color: 0.01 Lux @(F1.2, AGC ON), 0.028 lux @(F2.0, AGC ON), 0 lux with IR



NC326-WDA 2.8mm

6 MP IR Fixed Mini Dome Network Camera

Camera	
Image Sensor	1/2.9" Progressive Scan CMOS
Min. Illumination	Color: 0.01 Lux @ (F1.2, AGC ON), 0.028 lux @(F2.0, AGC ON), 0 lux with IR
Shutter Speed	1/3 s to 1/100,000 s
Slow Shutter	Yes
Day & Night	IR Cut Filter
Digital Noise Reduction	3D DNR
WDR	120dB
3-Axis Adjustment	Pan: -30° to +30°, tilt: 0° to 75°, rotate: 0° to 360°
Lens	
Focal length	2.8 mm
Aperture	F2.0
FOV	2.8 mm, Horizontal field of view: 97°, Vertical field of view: 67°, Diagonal field of view: 121°
Lens Mount	M12
IR	
IR Range	Up to 10 m
Wavelength	850nm
Compression Standard	
Video Compression	Main stream: H.265/H.264 Sub stream: H.265/H.264/MJPEG Third stream: H.265/H.264
H.264 Type	Main Profile/High Profile
H.264+	Main stream supports
H.265 Type	Main Profile
H.265+	Main stream supports
Video Bit Rate	256 Kbps to 16 Mbps
Audio Compression	G722.1/G711ulaw/G711alaw/G726/MP2L2/PCM
Audio Bit Rate	64Kbps(G.711)/16Kbps(G.722.1)/16Kbps(G.726)/32-192Kbps(MP2L2)
Smart Feature-set	
Behavior Analysis	Line crossing detection, intrusion detection
Face Detection	Yes
Region of Interest	Support 1 fixed region for main stream and sub-stream separately
Image	
Max. Resolution	3072 × 2048
Main Stream	50Hz: 20 fps (3072 × 2048, 3072 × 1728, 2944 × 1656), 25 fps (2560 × 1440, 1920 × 1080, 1280 × 720) 60Hz: 20 fps (3072 × 2048, 3072 × 1728, 2944 × 1656), 30fps (2560 × 1440, 1920 × 1080, 1280 × 720)
Sub Stream	50Hz: 25fps (640 × 480, 640 × 360, 320 × 240) 60Hz: 30fps (640 × 480, 640 × 360, 320 × 240)
Third Stream	50Hz: 25fps (1280 × 720, 640 × 360, 352 × 288) 60Hz: 30fps (1280 × 720, 640 × 360, 352 × 240)
Image Settings	Rotate mode, saturation, brightness, contrast, sharpness adjustable by client software or web

NC326-WDA 2.8mm

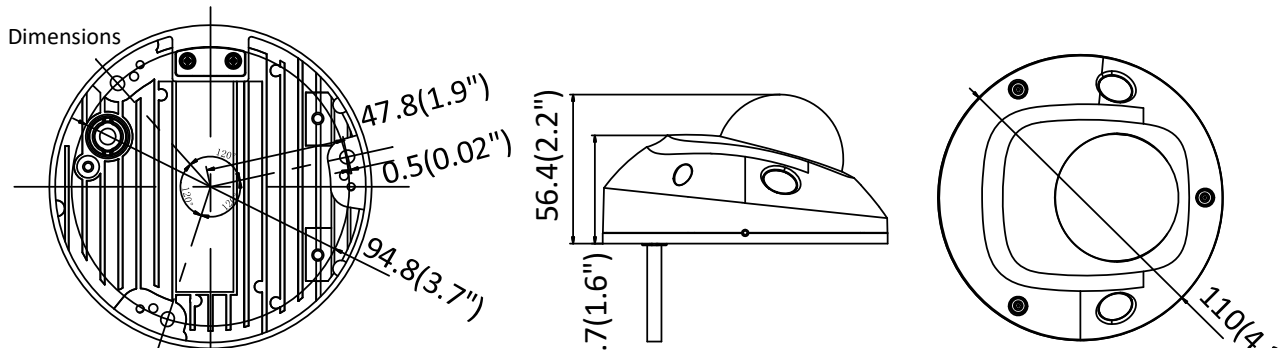


	browser
Image Enhancement	BLC/3D DNR/HLC
Day/Night Switch	Auto/Schedule/Day/Night/Triggered by Alarm In (-S)
Network	
Network Storage	Support Micro SD/SDHC/SDXC card (128G), local storage and NAS (NFS,SMB/CIFS), ANR
Alarm Trigger	Motion detection, video tampering, network disconnected, IP address conflict, HDD full, HDD error, illegal login
Protocols	TCP/IP, ICMP, HTTP, HTTPS, FTP, DHCP, DNS, DDNS, RTP, RTSP, RTCP, PPPoE, NTP, UPnP™, SMTP, SNMP, IGMP, QoS, IPv6
General Function	One-key reset, anti-flicker, three streams, heartbeat, mirror, password protection, privacy mask, watermark, IP address filter
API	ONVIF (PROFILE S, PROFILE G), ISAPI
Simultaneous Live View	Up to 6 channels
User/Host	Up to 32 users 3 levels: Administrator, Operator and User
Client	CMS, Guarding Vision
Web Browser	IE8+, Chrome 31.0-44, Firefox 30.0-51, Safari 8.0+
Interface	
Audio (-S model)	2 Inputs: line in (3.5 mm) or mic in (built-in microphone), 1 output: line out (3.5 mm), mono sound
Alarm (-S model)	1 Input: Alarm in (3.5mm), 1 Output: Alarm out (3.5mm) (max. 12 VDC, 30 mA)
Communication Interface	1 RJ45 10M/100M self-adaptive Ethernet port
On-board storage	Built-in Micro SD/SDHC/SDXC slot, up to 128G
SVC	Support H.264 and H.265 encoding
Wi-Fi (-W Model)	
Wireless Standards	IEEE 802.11b/g/n
Frequency Range	2.412 GHz to 2.4835 GHz
Channel Bandwidth	20M/40M
Protocols	802.11b: DQPSK, DBPSK, CCK 802.11g/n: OFDM /64-QAM,16-QAM, QPSK, BPSK
Security	WPA, WPA2
Transfer Rates	11b: 11Mbps, 11g: 54Mbps, 11n: up to 150Mbps
Wireless Range	50 m
Audio (-S Model)	
Environment Noise Filtering	Yes
Audio Sampling Rate	16 kHz, 32kHz, 44.1kHz, 48kHz
General	
Operating Conditions	-30 °C to +60 °C (-22 °F to +140 °F), Humidity 95% or less (non-condensing)
Power Supply	12 VDC ± 25%, PoE (802.3af, class 3)
Power Consumption and Current	12 VDC, 0.7A, max. 8.5W, Φ 5.5mm coaxial plug power PoE (802.3af, 36V to 57V), 0.3 A to 0.1 A, max. 10W
Protection Level	IK08, IP66
Material	Front cover: plastic , Bottom base: metal
Dimensions	Φ110 mm × 56.4 mm (Φ4. 3" × 2.2")
Weight	Camera: Approx. 400 g (0.9 lb.)



NC326-WDA 2.8mm

6 MP IR Fixed Mini Dome Network Camera



1280ZJ-DM22

Junction Box