

IPC-BU483E-IR-4

8MP IR Mini Bullet Network Camera



- 1/2.5" 8Megapixel progressive scan CMOS
- H.265&H.264 dual-stream encoding
- 15fps@4K(3840×2160),25/30fps@3Mp(2304×1296)
- Smart Detection supported
- DWDR, Day/Night(ICR), 3DNR,AWB,AGC,BLC
- Multiple network monitoring: Web viewer, CMS(DSS/PSS) & DMSS
- 4mm fixed lens
- Max. IR LEDs Length 40m
- Micro SD memory,IP67, PoE

System Overview

BLUE|LINE products by upgrading H.265 encoding technology, bringing high efficient video compression. It saves bandwidth and storage, energy-saving design to enhance the monitoring system. Meanwhile, the series offers features such as starlight, Smart IR technology, intelligent image analysis techniques. It provides excellent image quality and intelligent and efficient event reminders. This series provides IP67 weatherproof and IK10 vandal-proof protection feature. Give customers more value.



IPC-BU483E-IR-4

8MP IR Mini Bullet Network Camera

Functions

4K technology

4K technology as a revolutionary breakthrough in image, which enhance the expressive image of essence, allowing users to experience the best picture quality brought about by the visual feast . For the purposes of 4K surveillance with four times the 1080P resolution, presented to the user with more details . Under the same scenario by raising the pixels , reduce the camera cost.

Intelligent Video System (IVS)

With built-in intelligent video analytics, the camera has the ability to detect and analyze moving objects for improved video surveillance. The camera provides optional standard intelligence at the edge allowing detection of multiple object behaviors such as abandoned or missing objects. IVS also supports Tripwire analytics, allowing the camera to detect when a pre-determined line has been crossed, People Counting, ideal for business intelligence, and Facial Detection, for searching or identification of individuals.

Environmental

With a temperature range of -30 °C to +60 °C (-22°F to +140 °F), the camera is designed for extreme temperature environments. Subjected and certified to rigorous dust and water immersion tests, the IP67 rating makes it suitable for demanding outdoor applications. For environments with rain, sleet, snow and fog, an integrated wiper provides users with clear visibility at all times.

Protect on

Supporting $\pm 30\%$ input voltage tolerance, this camera suits even the most unstable conditions for outdoor applications. Its 6KV lightning rating provides protection against the camera and its structure from the effects of lightning.

Smart H.265+

Deliver high quality video without straining the network, Smart H.265+ is the optimized implementation of H.265. The Smart H.265+ encoding technology includes a scene adaptive encoding strategy, dynamic GOP, dynamic ROI, flexible multi-frame reference structure and intelligent noise reduction, providing saving of up to 70% of bandwidth and storage when compared with standard H.265.

HEVC (H.265)

H.265 ITU-T VCEG is a new video coding standard. H.265 Following standard developed around the existing video coding standard H.264 , some retain the original technology , while some of the relevant technology to improve the new technology uses advanced technology to improve the relationship between the code stream , encoding quality , and the delay between algorithm complexity , optimize settings specific contents include : Improve compression efficiency , improve the robustness and error recovery capabilities, real-time to reduce the delay, reduce channel acquisition time and a random access delay , reduce complexity , etc



IPC-BU483E-IR-4

8MP IR Mini Bullet Network Camera

Technical Specification

| | |
|----------------------|---|
| Camera | |
| Image Sensor | 1/2.5" 8Megapixel progressive scan CMOS |
| Effective Pixels | 3840(H)x2160(V) |
| RAM/ROM | 512MB/32MB |
| Scanning System | Progressive |
| Minimum Illumination | 0.05Lux/F1.6 (Color), 0Lux/F1.6(IR on) |
| S/N Ratio | More than 50dB |
| IR Distance | Distance up to 40m (131.2ft) |
| IR On/Off Control | Auto/ Manual |
| IR LEDs | 2 |

| | |
|----------------------|---------------|
| Lens | |
| Lens Type | Fixed |
| Mount Type | Board-in |
| Focal Length | 4mm |
| Max. Aperture | F1.6 |
| Angle of View | H:87° , V:48° |
| Optical Zoom | N/A |
| Focus Control | Fixed |
| Close Focus Distance | N/A |

| | |
|-------------------------|--|
| Pan/Tilt/Rotation | |
| Pan/Tilt/Rotation Range | Pan:0°~360°; Tilt:0°~90°; Rotation:0°~360° |

| | |
|--------------------------------|---|
| Intelligence | |
| IVS (optional) | Tripwire, Intrusion, Object Abandoned/Missing |
| Advanced Intelligent Functions | Face Detection |

| | |
|----------------------|--|
| Video | |
| Compression | H.265+/H.265/H.264+/H.264 |
| Streaming Capability | 3 Streams |
| Resolution | 4K(3840x2160)/6M(3072x2048)/5M(2560x1920)/3M(2048x1536)/3M(2304x1296)/1080P(1920x1080)/1.3M(1280x960)/720P(1280x720)/D1(704x576/704x480)/VGA(640x480)/CIF(352x288/352x240) |
| Frame Rate | Main Stream: 4K(1~15fps)/3M(1~25/30fps) |
| | Sub Stream: D1(1~25/30fps) |
| | Third Stream: 720P(1~25/30fps) |
| Bit Rate Control | CBR/VBR |
| Bit Rate | H.264: 24K ~ 10240Kbps H.265: 14K ~ 9984Kbps |
| Day/Night | Auto(ICR) / Color / B/W |
| BLC Mode | BLC / HLC / DWDR |

| | |
|--------------------------------------|---|
| White Balance | Auto/Natural/Street Lamp/Outdoor/Manual |
| Gain Control | Auto/Manual |
| Noise Reduction | 3D DNR |
| Motion Detetion | Off / On (4 Zone, Rectangle) |
| Region of Interest | Off / On (4 Zone) |
| Electronic Image Stabilization (EIS) | N/A |
| Smart IR | Support |
| Defog | N/A |
| Digital Zoom | 16x |
| Flip | 0°/90°/180°/270° |
| Mirror | Off / On |
| Privacy Masking | Off / On (4 Area, Rectangle) |

| | |
|-------------|-----|
| Audio | |
| Compression | N/A |

| | |
|---------------------|--|
| Network | |
| Ethernet | RJ-45 (10/100Base-T) |
| Protocol | HTTP; HTTPS; TCP; ARP; RTSP; RTP; UDP; SMTP; FTP; DHCP; DNS; DDNS; PPPOE; IPv4/v6; QoS; UPnP;NTP; Bonjour; 802.1x; Multicast; ICMP; IGMP; SNMP |
| Interoperability | ONVIF, PSIA, CGI |
| Streaming Method | Unicast / Multicast |
| Max. User Access | 10 Users /20 Users |
| Edge Storage | NAS Local PC for instant recording Mirco SD card 128GB |
| Web Viewer | IE, Chrome, Firefox, Safari |
| Management Software | Smart PSS, DSS, Easy4ip |
| Smart Phone | IOS, Android |

| | |
|----------------|--|
| Certifications | |
| Certifications | CE (EN 60950:2000) UL:UL60950-1 FCC: FCC Part 15 Subpart B |

| | |
|-----------------|-----|
| Interface | |
| Video Interface | N/A |
| Audio Interface | N/A |
| RS485 | N/A |
| Alarm | N/A |

| | |
|-------------------|-------------------------------|
| Electrical | |
| Power Supply | DC12V, PoE (802.3af)(Class 0) |
| Power Consumption | < 7W |



IPC-BU483E-IR-4

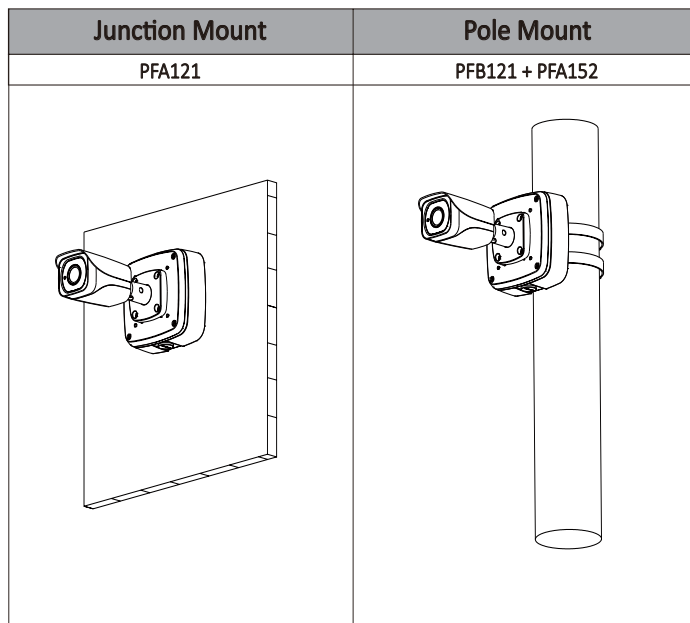
8MP IR Mini Bullet Network Camera

Environmental

| | |
|----------------------|---|
| Operating Conditions | -30° C ~ +60° C (-22° F ~ +140° F) / Less than 95% RH |
| Storage Conditions | -30° C ~ +60° C (-22° F ~ +140° F) / Less than 95% RH |
| Ingress Protection | IP67 |
| Vandal Resistance | N/A |

Construction

| | |
|--------------|-------------------------------------|
| Casing | Metal |
| Dimensions | 180mm×70mm×70mm (7.09"×2.76"×2.76") |
| Net Weight | 0.41kg (0.91lb) |
| Gross Weight | 0.53 kg (1.17lb) |



Accessories

Optional:

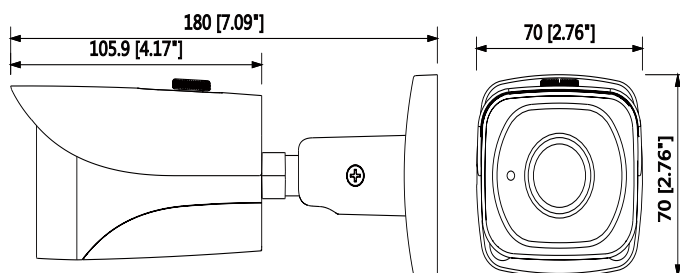


PFA121
Junction box



PFA152
Pole Mount

Dimensions (mm/inch)



Winic Technologies USA Inc.

42 Central avenue, Farmingdale, New York 11735

Tel: +631-396-0800

Fax: +631-396-0805

Email:sales@winictech.com

www.winictech.com

*Design and specifications are subject to change without notice.