

HAC-HDBW2220E -3.6

2.4Megapixel 1080P Vandal-proof IR HDCVI Mini Dome Camera



Features

- 1/2.8" 2.4Megapixel CMOS
- 25/30fps@1080P, 25/30/50/60fps@720P
- High speed, long distance real-time transmission
- HD and SD switchable
- OSD Menu, control over coaxial cable
- DWDR, Day/Night(ICR), AWB, AGC, BLC, 3DNR
- 3.6mm fixed lens (6mm, 8mm optional)
- Max. IR LEDs length 30m, Smart IR
- IP67, IK10, DC12V

HAC-HDBW2220E -3.6

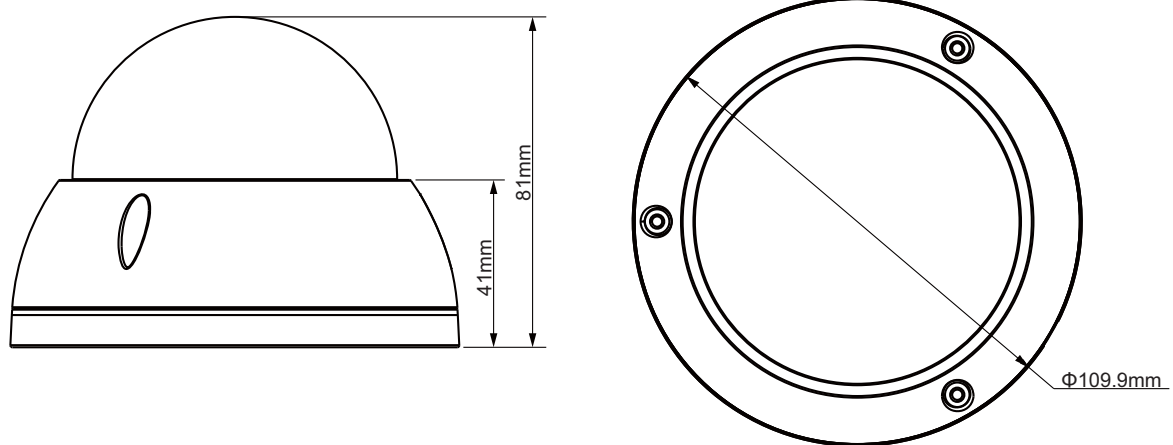
2.4Megapixel 1080P Vandal-proof IR HDCVI Mini Dome Camera

Technical Specifications

Model	HAC-HDBW2220-3.6
Camera	
Image Sensor	1/2.8" 2.4Megapixel CMOS
Effective Pixels	1984(H)×1225(V)
Electronic Shutter	1/3s~1/100,000s
Video Frame Rate	25/30/50/60fps@720P; 25/30fps@1080P
Synchronization	Internal
Mini. Illumination	0.05Lux/F1.8, 0Lux IR on
Video Output	1-channel BNC HDCVI high definition video output/ CVBS standard definition video output (Can switch)
Camera Features	
Max. IR LEDs Length	30m, Smart IR
Day/Night	Auto(ICR) / Color / B/W
Noise Reduction	2D/3D
OSD Menu	Support
Lens	
Focal Length	3.6mm
Angle of View	H: 88° (55° /38.6°)
Mount Type	M12
General	
Power Supply	DC12V±20%
Power Consumption	Max 3.5W
Working Environment	-30°C~+60°C / Less than 95%RH (no condensation)
Transmission Distance	Over 500m via 75-3 coaxial cable
Ingress Protection	IP67 & IK10
Dimensions(W×D×H)	Φ109.9mm×81.0mm
Weight	0.3kg
Material	Metal

HAC-HDBW2220E -3.6

2.4Megapixel 1080P Vandal-proof IR HDCVI Mini Dome Camera



Accessories (optional)

		
PFB200W	PFA136	PFA152