

AC306D-OD4Z

5 MP Ultra-Low Light Motorized VF EXIR Dome Camera



Key Features

- 5 megapixel high-performance CMOS
- HD analog output, up to 5 MP resolution
- 2.8 mm to 12 mm motorized vari-focal lens
- True Day/Night
- OSD menu, DNR, Smart IR
- EXIR technology, up to 40 m IR distance
- IP67, IK10
- Up the Coax (HIKVISION-C)



AC306D-OD4Z

5 MP Ultra-Low Light Motorized VF EXIR Dome Camera

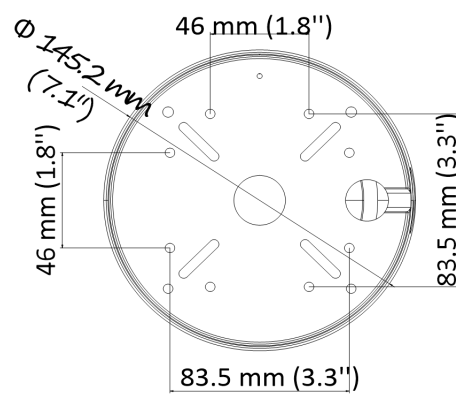
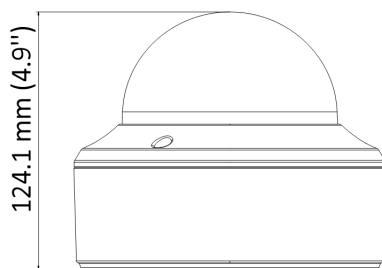
Specification

Camera	
Image Sensor	5 MP CMOS image sensor
Resolution	2560 (H) × 1944 (V)
Min. illumination	Color: 0.008 Lux @ (F1.2, AGC ON), 0 Lux with IR
Shutter Time	PAL: 1/25 s to 1/50,000 s NTSC: 1/30 s to 1/50,000 s
Lens	2.8 mm to 12 mm motorized vari-focal lens
Horizontal Field of View	102° to 31°
Lens Mount	Φ14
Day & Night	ICR
Angle Adjustment	Pan: 0° to 355°; Tilt: 0° to 75°; Rotate: 0° to 355°
Synchronization	Internal synchronization
Frame Rate	2560 × 1944 @ 20fps
Menu	
AGC	Support
D/N Mode	Auto/Color/BW (Black and White)
White Balance	ATW/MWB
BLC	Support
DWDR (Digital Wide Dynamic Range)	Support
Language	English, Chinese
Functions	Brightness, Sharpness, Digital noise reduction, Mirror, Smart IR
Interface	
Video Output	1 HD analog output
General	
Operating Conditions	-40 °C to 60 °C (-40 °F to 140 °F), humidity: 90% or less (non-condensation)
Power Supply	12 V DC ±25% -A: 12 V DC ±25%, 24 V AC ±25%
Power Consumption	Max. 6 W -A: Max. 6 W
Protection Level	IP67, IK10
Material	Metal
IR Range	Up to 40 m
Communication	Up the coax, Protocol: HIKVISION-C (TVI output)
Dimensions	Φ 145.2 mm × 124.1 mm (Φ 5.72" × 4.89")
Weight	Approx. 1600 g (3.53 lb.)

AC306D-OD4Z

5 MP Ultra-Low Light Motorized VF EXIR Dome Camera

Dimension



Accessory



1273ZJ-140
Wall Mounting Bracket



1275ZJ
Vertical Pole Mounting Bracket



1276ZJ
Corner Mounting Bracket



1271ZJ-140
Pendant Mounting Bracket



1273ZJ-140B Wall
Mounting Bracket



1241ZJ
In-ceiling Mounting Bracket



1240ZJ
Inclined Ceiling Mounting Bracket