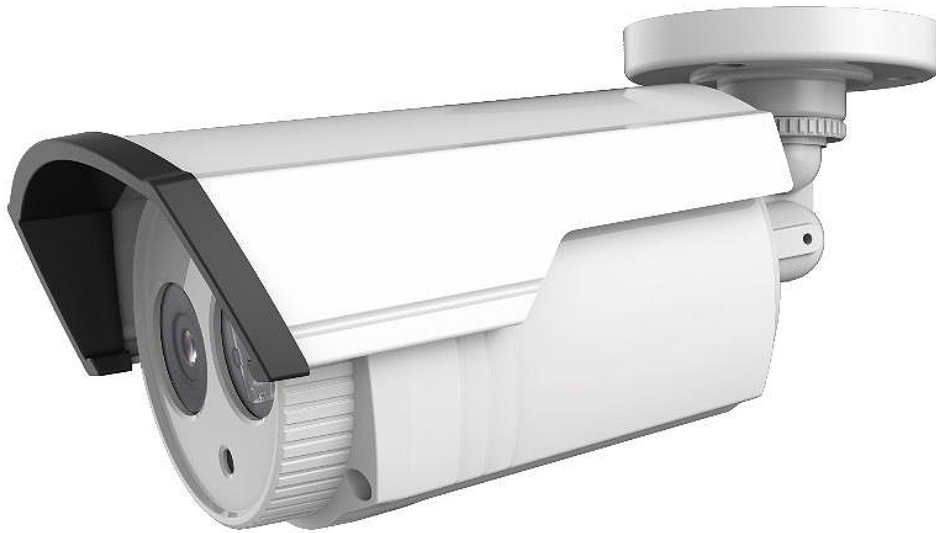


AC324-FB4

HD1080p Bullet Camera



Key Features

- 2 megapixel high-performance CMOS
- Analog HD output, up to 1080p resolution
- True Day/Night
- OSD menu
- EXIR2.0, smart IR, up to 40m IR distance
- IP66 weatherproof



AC324-FB4

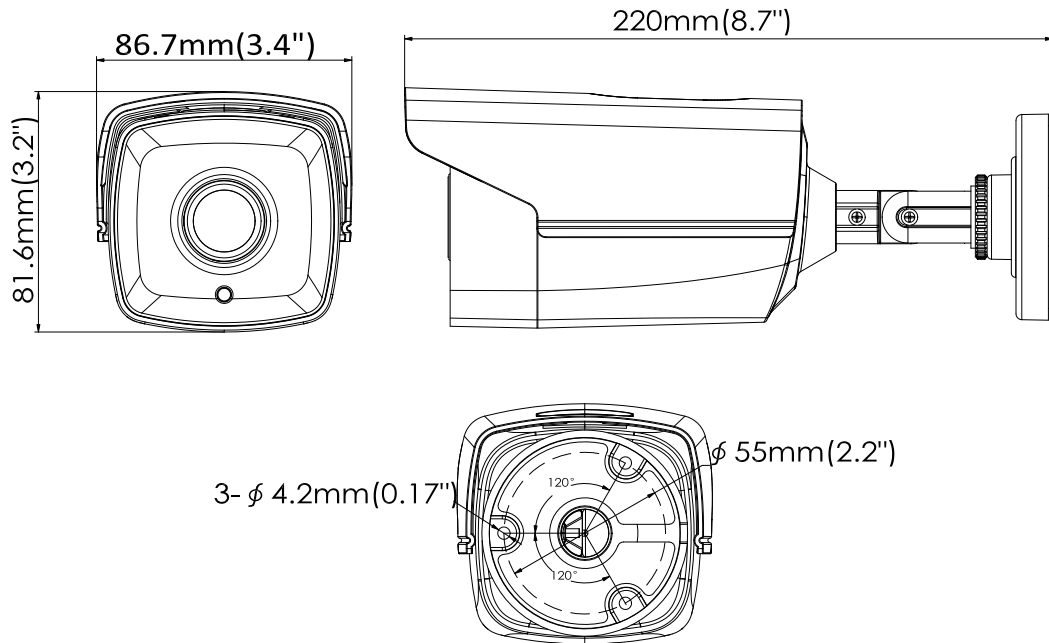
HD1080p Bullet Camera

Camera	
Image Sensor	2MP CMOS Image Sensor
Signal System	PAL/NTSC
Frame Rate	PAL: 1080p@25fps NTSC: 1080p@30fps
Resolution	1920 (H) × 1080 (V)
Min. illumination	0.01 Lux @(F1.2, AGC ON), 0 Lux with IR
Shutter Time	1/25(1/30)s to 1/50,000s
Lens	2.8 mm, 3.6 mm fixed lens
Horizontal Field of View	103 ° (2.8 mm), 82.2 ° (3.6 mm)
Lens Mount	M12
Day & Night	IR cut filter
Angle Adjustment	Pan: 0 to 360°, Tilt: 0 to 180°, Rotation: 0 to 360°
Synchronization	Internal synchronization
Menu	
AGC	Low/middle/high
Day/Night Mode	Smart/color/BW(Black and White)
Backlight Compensation	Yes
DWDR	Yes
Language	English
Functions	Brightness, Sharpness, DNR, Mirror
Interface	
Video Output	1 HD analog output
General	
Operating Conditions	-40 °C to 60 °C (-40 °F to 140 °F), Humidity 90% or less (non-condensing)
Power Supply	12 VDC ±15%
Power Consumption	Max. 4 W
Ingress Protection	IP66
Material	Metal
IR Range	Up to 40 m
Dimensions	86.22 mm × 82.05 mm × 220.13 mm(3.39" × 3.23" × 8.67")
Weight	Approx. 430 g (0.95 lb.)

AC324-FB4

HD1080p Bullet Camera

Dimensions



Accessories



1280ZJ-XS
Junction box