

NC304-WDA

4MP WDR Mini Dome Network Camera



- Up to 4 megapixel high resolution
- Full HD1080p video
- Dual video streams
- 2.8mm/4mm/6mm fixed lens
- 120dB Wide Dynamic Range
- 3D Digital Noise Reduction
- 3-axis adjustment
- DC12V & PoE
- Support H.264+
- Up to 10m IR range
- IP66 weather-proof protection
- IK08 vandal-proof protection
- -S: Built-in microphone, Audio Output, Alarm IO
- -W: Built-in Wi-Fi



NC304-WDA

4MP WDR Mini Dome Network Camera

Specification

Camera	
Image Sensor	1/3" Progressive Scan CMOS
Min. Illumination	0.01Lux @ (F1.2, AGC ON), 0 Lux with IR
Shutter Speed	1/3 s to 1/10,000 s
Lens	2.8mm, 4mm, 6mm @ F2.0
Lens Mount	M12
Day &Night	IR cut filter with auto switch
DNR	3D DNR
Wide Dynamic Range	120dB
Angle of adjustment	Pan: -30° ~ 30°, Tilt: 0 ~ 75°, Rotation: 0 ~ 360°
Compression Standard	
Video Compression	H.264 / MJPEG/H.264+
H.264 Type	Main Profile
Video Bit Rate	32 Kbps ~ 16 Mbps
Dual Streams	Support
Audio Compression	G.711/G.722.1/G.726/MP2L2 *only for -S models
Audio Bit rate	64Kbps(G.711) / 16Kbps(G.722.1) / 16Kbps(G.726) / 32-128Kbps(MP2L2) *only for -S models
Image	
Max. Resolution	2688×1520
Frame Rate	50Hz: 20fps (2688×1520), 25fps(1920×1080), 25fps(1280×720) 60Hz: 20fps (2688×1520), 30fps (1920×1080), 30fps(1280×720)
Image Setting	Rotate Mode, Saturation, Brightness, Contrast, Sharpness adjustable by client software or web browser
BLC	Support, zone configurable
ROI Codec	Support
Network	
Network Storage	NAS (Support NFS,SMB/CIFS), ANR
Alarm Trigger	Motion detection, Tampering alarm, Network disconnect, IP address conflict, Storage exception
Protocols	TCP/IP, UDP, ICMP, HTTP, HTTPS, FTP, DHCP, DNS, DDNS, RTP, RTSP, RTCP, PPPoE, NTP, UPnP, SMTP, SNMP, IGMP, 802.1X, QoS, IPv6, Bonjour
General	One-key reset, Flash-prevention, dual stream, heartbeat, mirror, password protection, privacy mask, watermark, IP address filtering, Anonymous access
Standard	ONVIF (PROFILE S, PROFILE G), PSIA, CGI, ISAPI
Interface	
Communication Interface	1 RJ45 10M/100M Ethernet port
On-board storage	Built-in Micro SD/SDHC/SDXC slot, up to 128GB
Alarm interface	1x alarm I/O *only for -S models
Audio interface	Built-in microphone and 1x audio output *only for -S models
Reset	Yes



NC304-WDA

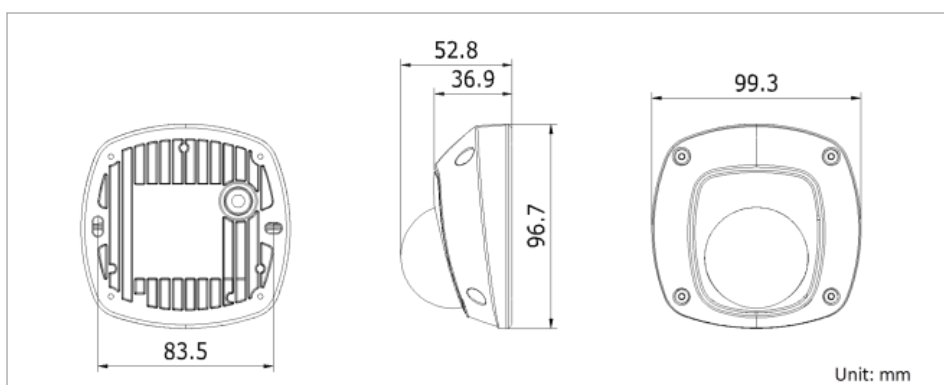
4MP WDR Mini Dome Network Camera

Wi-Fi * only for -W models	
Wireless Standards	IEEE802.11b, 802.11g, 802.11n
Frequency Range	2.4 GHz ~ 2.4835 GHz
Channel Bandwidth	20/40MHz Support
Protocols	802.11b: CCK, QPSK, BPSK, 802.11g/n: OFDM
Security	64/128-bit WEP, WPA/WPA2, WPA-PSK/WPA2-PSK, WPS
Transmit Output Power	11b: 17±1.5dBm @ 11Mbps 11g: 14±1.5dBm @ 54Mbps 11n: 12.5±1.5dBm
Reception Sensitivity	11b: -90dBm @ 11Mbps (Typical) 11g: -75dBm @ 54Mbps (Typical) 11n: -74dBm (Typical)
Transfer Rates	11b: 11Mbps, 11g: 54Mbps, 11n: up to 150Mbps
Wireless Range	50 meters *The performance varies based on actual environment.
General	
Operating Conditions	-30 °C ~ 60 °C (-22 °F ~ 140°F), Humidity 95% or less (non-condensing)
Power Supply	DC12V ± 10%, PoE (802.3af)
Power Consumption	Max. 5W
IR Range	Approx. 10 meters
Ingress Protection	IP66
Impact Protection	IEC60068-275Eh, 20J; EN50102, up to IK08
Dimensions	99.3×96.7×52.8 mm
Weight	600 g (1.32 lbs)

NC304-WDA

4MP WDR Mini Dome Network Camera

Dimensions



Camera Accessories



Wall mount

W-1272ZJ-120



Wall mount + Junction Box

W-1272ZJ-120B



Pendant mount

W-1271ZJ-120



Corner mount

W-1276ZJ



Vertical Pole mount

W1275ZJ



Rain-proof Cap

W-1250ZJ

Winic Technologies USA Inc.

42 Central Avenue, Farmingdale, New York 11735

Tel: +631-396-0800

Fax: +631-396-0805

Email: sales@winictech.com

www.winictech.com

Design and specifications are subject to change without notice.