

AC326-FB/P

5 MP PIR Bullet Camera



Key Features

- 5 MP high performance CMOS
- 2560 × 1944 resolution
- 2.8 mm, 3.6 mm fixed focal lens
- PIR detection, visual alarm
- EXIR 2.0, smart IR, up to 20 m IR distance
- IP67
- Up the coax (UTC-C)

AC326-FB/P

5 MP PIR Bullet Camera

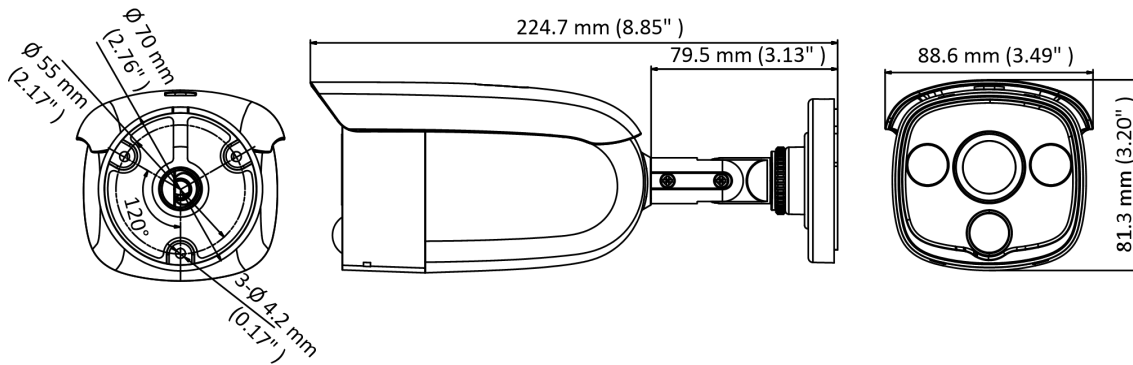


| Camera | |
|--------------------------|--|
| Image Sensor | 5.0 megapixel progressive scan CMOS |
| Signal System | PAL/NTSC |
| Frame Rate | PAL: 5 MP@20fps, 4 MP@25fps, 1080p@25fps NTSC: 5 MP@20fps, 4 MP@30fps, 1080p@30fp |
| Resolution | 2560 (H) × 1944 (V) |
| Min. illumination | Color: 0.01 Lux @ (F1.2, AGC ON), 0 Lux with IR |
| Shutter Time | PAL: 1/25 s to 1/50, 000 s NTSC: 1/30 s to 1/50, 000 s |
| Lens | 2.8 mm, 3.6 mm fixed focal lens |
| Horizontal Field of View | 85.5° (2.8 mm), 80.1° (3.6 mm) |
| Lens Mount | M12 |
| Visual Alarm | Yes |
| Day & Night | IR cut filter |
| Angle Adjustment | Pan: 0° to 360°, Tilt: 0° to 180°, Rotate: 0° to 360° |
| Synchronization | Internal synchronization |
| Menu | |
| White Light | Alarm/Lighting/Off |
| AGC | Yes |
| Day/Night Mode | Auto/Color/BW (Black and White) |
| White Balance | Auto/Manual |
| Backlight Compensation | Yes |
| Language | English |
| Functions | Brightness, Contrast, Sharpness, Saturation, DNR, Mirror |
| Interface | |
| Video Output | 1 HD analog output |
| General | |
| Operating Conditions | -40 °C to 60 °C (-40 °F to 140 °F), humidity: 90% or less (non-condensation) |
| Power Supply | 12 VDC ±25% |
| Power Consumption | Max. 4.5 W |
| Ingress Protection | IP67 |
| Material | Front cover: Metal Main body: Plastic |
| IR Range | Up to 20 m |
| PIR Range | Angle: 110°, Range:11 m |
| Communication | Up the coax, Protocol: UTC-C (TVI output) |
| Dimensions | 88.6 mm × 81.3 mm × 224.7 mm (3.49" × 3.20" × 8.85") |
| Weight | Approx. 430 g (0.95 lb.) |

AC326-FB/P

5 MP PIR Bullet Camera

Dimension



Acc

Accessories



1280ZI-XS

Junction Box

