

## NC344-XB 2.8MM

### AcuSense 4 MP IR Fixed Bullet Network Camera



#### Key Features

- Max. 2688 × 1520 @ 30fps
- 2.8 mm fixed lens
- H.265, H.264
- 120dB WDR
- False alarm filter by target classification
- Powered by Darkfighter
- 12 VDC & PoE (802.3at, class 4)
- IR range: Up to 50 m
- Support on-board storage, up to 128 GB
- IP67
- BLC/3D DNR/ROI
- Color: 0.007 Lux @ (F1.2, AGC ON), 0.012 Lux @ (F1.6, AGC ON)



# NC344-XB 2.8MM

## AcuSense 4 MP IR Fixed Bullet Network Camera

<b>Camera</b>	
Image Sensor	1/2.7" Progressive Scan CMOS
Min. Illumination	0.007 Lux @ (F1.2, AGC ON), 0.012 Lux @ (F1.6, AGC ON)
Shutter Speed	1/3 s to 1/100,000 s
Slow Shutter	Yes
Focal length	2.8/4/6/8 mm
Focus	Fixed
Aperture	F1.6
FOV	2.8 mm, horizontal FOV: 104°, vertical FOV: 58°, diagonal FOV: 124°
Lens Mount	M12
Auto-Iris	No
Day & Night	IR cut filter
DNR	3D DNR
Wide Dynamic Range	120dB
3-Axis Adjustment	Pan: 0° to 360°, tilt: 0° to 90°, rotate: 0° to 360°
<b>Compression Standard</b>	
Video Compression	Main stream: H.265/H.264 Sub stream: H.265/H.264/MJPEG
H.264 Type	Main Profile/High Profile
H.264+	No
H.265 Type	Main Profile
H.265+	No
Video Bit Rate	32 Kbps to 16 Mbps
<b>Image</b>	
Max. Resolution	2688 × 1520
Main Stream	50Hz: 25fps (2688 × 1520, 1920 × 1080, 1280 × 720) 60Hz: 30fps (2688 × 1520, 1920 × 1080, 1280 × 720)
Sub Stream	50Hz: 25fps (704 × 576, 640 × 480, 352 × 288) 60Hz: 30fps (704 × 576, 640 × 480, 352 × 288)
Image Enhancement	BLC/3D DNR
Image Settings	Saturation, brightness, contrast, sharpness, AGC, white balance adjustable by client software or web browser
ROI (Region of Interest)	Support 1 fixed region for main stream and sub stream separately
Day/Night Switch	Day/Night/Auto/Schedule
<b>Network</b>	
Network Storage	Support micro SD/SDHC/SDXC card (128G) local storage, NAS (NFS,SMB/CIFS), ANR
Alarm Trigger	Tampering alarm, network disconnected, IP address conflict, illegal login, HDD full, HDD error
Protocols	TCP/IP, ICMP, HTTP, HTTPS, FTP, DHCP, DNS, DDNS, RTP, RTSP, RTCP, PPPoE, NTP, UPnP, SMTP, SNMP, IGMP, 802.1X, QoS, IPv6, UDP, Bonjour
General Function	One-key reset, anti-filter
Firmware Version	V5.5.61
API	ONVIF (PROFILE S, PROFILE G), ISAPI



# NC344-XB 2.8MM

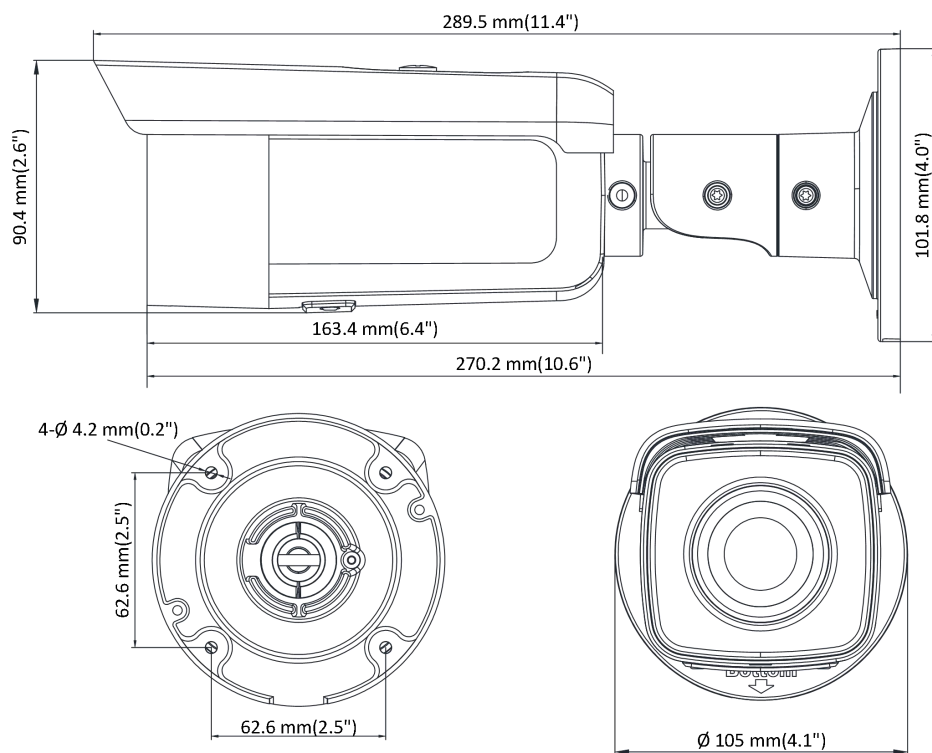
## AcuSense 4 MP IR Fixed Bullet Network Camera

Simultaneous Live View	Up to 6 channels
User/Host	Up to 32 users 3 levels: Administrator, Operator and User
Client	Guarding Vision, CMS
Web Browser	IE8+, Chrome 31.0-44, Firefox 30.0-51, Safari 8.0+
<b>Interface</b>	
Communication Interface	1 RJ45 10M/100M self-adaptive Ethernet port
On-board Storage	Built-in micro SD/SDHC/SDXC slot, up to 128 GB
Reset Button	Yes
SVC	H.265 encoding and H.264 encoding support
<b>Smart Feature-set</b>	
Behavior Analysis	Line crossing detection, intrusion detection, region entrance detection, region exit detection, false alarm filter by target classification When H265+, three streams or motion detection is enabled, the behavior analyses (including line crossing detection, intrusion detection, region entrance detection and region exiting detection) are not supported.
<b>General</b>	
Operating Conditions	-30 °C to +50 °C (-22 °F to +122 °F), humidity 95% or less (non-condensing)
Power Supply	12 VDC ± 25%, 5.5 mm coaxial power plug PoE (802.3at, class 4)
Power Consumption	12 VDC, 0.9 A, Max: 10.5 W PoE: (802.3at, 42.5 V to 57 V), 0.3A to 0.1A, Max: 13 W
IR Range	2LEDs, up to 50 m
Wavelength	850 nm
Protection Level	IP67
Material	Front cover: metal, back cover: metal
Dimensions	Camera: $\Phi 105 \times 289.5$ mm ( $\Phi 4.1'' \times 11.4''$ )
Weight	Camera: 1100 g (2.4 lb.) With package: 1600 g (3.5 lb.)

# NC344-XB 2.8MM

## AcuSense 4 MP IR Fixed Bullet Network Camera

### Dimensions



### Accessories



1275ZJ-SUS  
Vertical pole mount



1260ZJ  
Junction box



1276ZJ-SUS  
Corner mount