

HDC-EBI1A/2M-3.6



2.4 MP Fixed EXIR turret Camera, SUPPORTS TVI, CVI AND AHD



Features

- 1/2.8" 2.4 Megapixel CMOS
- IR Led: \varnothing 16X1IR
- 1080P@25, 1080P@30
- Long Distance, No delay
- Support ICR auto switch
- Support AHD/ CVI/ TVI/ Analog transfer

HDC-EBI1A/2M-3.6

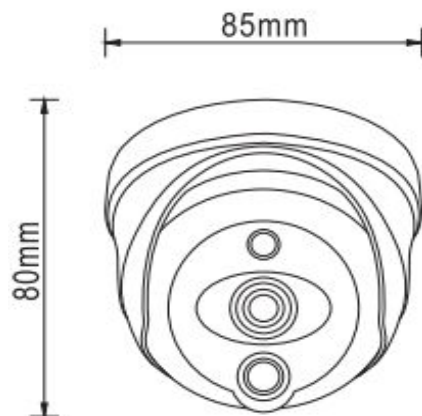


2.4 MP Fixed EXIR turret Camera, SUPPORTS TVI, CVI AND AHD

Specifications

Camera	
Image Sensor	1/2.8" 2.4 Megapixel CMOS
Effective Pixel	1920(H)×1080(V)
Video Frame Rate	PAL:25fps@1080P NTSC:30fps@1080P
Electronic Shutter	PAL:1/50s~1/100,000s NTSC:1/50s~1/100,000s
Min.Illumination	0.01Lux@F1.2, (0Lux IR on)
OSD	Yes
Synchronization	Internal
TV system	PAL/NTSC
Lens	
Lens	3.6mm
General	
Power Supply	DC12V
Power Consumption	150mA
Working Temperature	-10° C~+50° C

Dimensions (mm)



Winic Technologies USA Inc.

42 Central avenue, Farmingdale, New York 11735

Tel: +631-396-0800

Fax: +631-396-0805

Email:sales@winictech.com

www.winictech.com