

AC324F-FD4

HD 1080p EXIR Turret Camera



- 2 megapixel high performance CMOS
- Analog HD output, up to 1080p resolution
- True Day/Night,
- Smart IR
- EXIR 2.0, smart IR, up to 40m IR distance
- Switchable TVI/AHD/CVI/CVBS
- IP66

AC324F-FD4

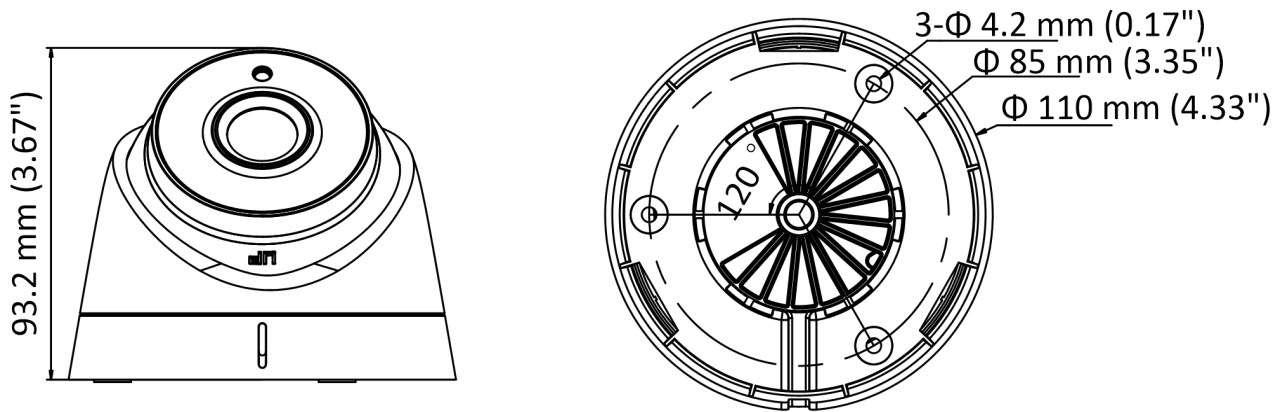
HD 1080p EXIR Turret Camera

Camera	
Image Sensor	2 MP CMOS image sensor
Signal System	PAL/NTSC
Frame Rate	PAL: 1080p@25fps NTSC: 1080p@30fps
Resolution	1920 (H) × 1080 (V)
Min. illumination	0.01 Lux @ (F1.2, AGC ON), 0 Lux with IR
Shutter Time	1/25(1/30) s to 1/50,000 s
Lens	3.6mm, 2.8 mm, 6 mm, 8 mm, 12 mm fixed lens
Horizontal Field of View	103° (2.8 mm), 82.2°(3.6mm), 54°(6mm), 37.7°(8mm), 24.2°(12 mm)
Lens Mount	M12
Day & Night	IR cut filter
Angle Adjustment	Pan: 0° to 360°, Tilt: 0° to 75°, Rotation: 0° to 360°
Synchronization	Internal synchronization
Menu	
AGC	Low/middle/high
Day/Night Mode	Smart/color/BW(Black and White)
Backlight Compensation	Yes
DWDR	Yes
Language	English, Chinese
Functions	Brightness, Sharpness, DNR, Mirror
Interface	
Video Output	1 HD analog output
Switch Button	TVI/AHD/CVI/CVBS
General	
Operating Conditions	-40 °C to 60 °C (-40 °F to 140 °F), Humidity: 90% or less (non-condensation)
Power Supply	12 V DC ± 15%
Power Consumption	Max. 4 W
Ingress Protection	IP66
Material	Plastic
IR Range	Up to 40 m
Dimension	Φ110 mm × 93.2 mm (4.33" × 3.67")
Weight	350 g (0.77 lb.)

AC324F-FD4

HD 1080p EXIR Turret Camera

Dimensions



Accessories



1273ZJ-130-TRL
Wall Mount



1275ZJ
Vertical Pole Mount



1276ZJ
Corner Mount



1280ZJ-DM8
Junction Box



1281ZJ-M
Inclined Ceiling Mount