

IPC-PD65230-W-AT



2Mp Full HD Network Auto-Tracking PTZ Dome Camera



Features

- Powerful 20x/30x optical zoom
- Support Triple-streams encoding
- Max 50/60fps@720P and 25/30fps@1080P resolution
- Defog, DWDR, Day/Night(ICR), Ultra DNR, EIS, Auto iris, Auto focus
- Multiple network monitoring: Web viewer, CMS(DSS/PSS) & DMSS
- Max 400 °/s pan speed, 360° endless pan rotation
- Up to 255 presets, 5 auto scan, 8 tour, 5 pattern
- Built-in 7/2 alarm in/out
- Support Auto tracking and IVS
- Support intelligent 3D positioning with DH-SD protocol
- Micro SD memory, IP67, easy installation

IPC-PD65230-W-AT



2Mp Full HD Network Auto-Tracking PTZ Dome Camera

| | |
|--------------------------|--|
| Model | IPC-PD65230-W-AT |
| Camera | |
| Image Sensor | 1/2.8" Exmor CMOS |
| Effective Pixels | 1944(H) x 1092(V), 2 Megapixels |
| Scanning System | Progressive |
| Electronic Shutter Speed | 1/1 ~ 1/30,000s |
| Min. Illumination | Color: 0.05Lux@F1.6,B/W: 0.005Lux@F1.6 |
| S/N Ratio | More than 50dB |
| Video Output | BNC(1.0Vp-p/75Ω), PAL / NTSC |
| Camera Features | |
| Day/Night | Auto(ICR) / Color / B/W |
| Backlight Compensation | BLC / HLC / DWDR (Digital WDR) |
| White Balance | Auto, ATW, Indoor, Outdoor, Manual |
| Gain Control | Auto / Manual |
| Noise Reduction | Ultra DNR (2D/3D) |
| Privacy Masking | Up to 24 areas |
| Digital Zoom | 16x |
| Defog | On / Off |
| Lens | |
| Focal Length | 4.3mm~129mm (30x Optical zoom) |
| Max Aperture | F1.6 ~ F4.7 |
| Focus Control | Auto / Manual |
| Angle of View | H: 65.1°~ 2.34° |
| Close Focus Distance | 10mm ~ 1200mm |
| PTZ | |
| Pan/Tilt Range | Pan: 0° ~ 360° endless; Tilt: -2° ~ 90°, auto flip 180° |
| Manual Control Speed | Pan: 0.1° ~ 300°/s; Tilt: 0.1° ~ 250°/s |
| Preset Speed | Pan: 400°/s; Tilt: 300°/s |
| Preset | 80(DH-SD), 255(Pelco-P/D) |
| PTZ Mode | 5 Pattern, 8 Tour, Auto Pan, Auto Scan |
| Speed Setup | Human-oriented focal length/ speed adaptation |
| Power up Action | Auto restore to previous PTZ and lens status after power failure |
| Idle Motion | Activate Preset/Pan/Scan/Tour/Pattern if there is no command in the specified period |
| Time Task | Auto activation of Preset/Pan/Scan/Tour/Pattern by preset-time |
| Protocol | DH-SD (Auto recognition) |
| Video | |
| Compression | H.264 / MJPEG |

IPC-PD65230-W-AT



2Mp Full HD Network Auto-Tracking PTZ Dome Camera

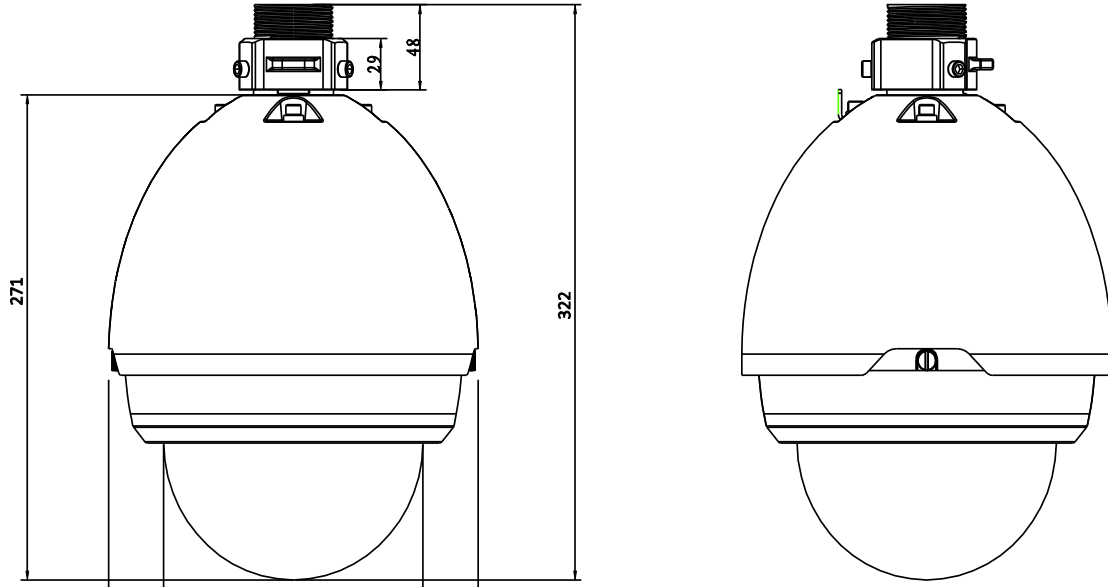
| | | |
|-----------------------------|--|---|
| Resolution | 1080P(1920×1080)/ 720P(1280×720) / D1(704×576/704×480) / CIF(352×288/352×240) | |
| Frame Rate | Main Stream | 1080P (1 ~ 25/30fps) / 720P(1~50/60fps) |
| | Sub Stream1 | D1/CIF(1 ~ 25/30fps) |
| | Sub Stream2 | 720P/D1/CIF(1 ~ 25/30fps) |
| Bit Rate | H.264: 56K ~ 8192Kbps, MJPEG: 56K ~ 20480Kbps | |
| Audio | | |
| Compression | G.711a / G.711u (32kbps) / PCM (128kbps) | |
| Interface | 1/1 channel In/Out | |
| Intelligent Function | | |
| Auto Tracking | Single-scene, multiple-scene, panorama-scene | |
| IVS | Tripwire, Cross Warning Zone, Perimeter Protection, Loitering Detection, Abandoned Object Detection, Missing Object Detection, Illegal Parking, Fast Moving and etc. | |
| Tracking Trigger Mode | Manual / Auto (alarm triggered) | |
| Tracking Trigger Event | Targeting, Zoom, Tracking, Recording, Snapshot, Alarm and etc. | |
| Network | | |
| Ethernet | RJ-45 (10/100Base-T) | |
| Protocol | IPv4/IPv6, HTTP, HTTPS, SSL, TCP/IP, UDP, UPnP, ICMP, IGMP, SNMP, RTSP, RTP, SMTP, NTP, DHCP, DNS, PPPOE, DDNS, FTP, IP Filter, QoS, Bonjour | |
| ONVIF | ONVIF Profile S | |
| Max. User Access | 20 users | |
| Smart Phone | iPhone, iPad, Android, Windows Phone | |
| Auxiliary Interface | | |
| Memory Slot | Micro SD, Max 64GB | |
| Alarm | 7/2 channel In/Out | |
| General | | |
| Power Supply | AC 24V/3A (±10%) | |
| Power Consumption | 20W, 45W(Heater on) | |
| Working Environment | -40°C ~ 60°C / Less than 90% RH | |
| Ingress Protection | IP67 | |
| Vandal Resistance | IK10 (optional) | |
| Dimensions | Φ222(mm) x 322(mm) | |
| Weight | 5.0kg | |

IPC-PD65230-W-AT



2Mp Full HD Network Auto-Tracking PTZ Dome Camera

Dimensions (mm)



Accessories

| | | |
|---------|--------|--------------|
| | | |
| 69FB | PFA111 | Power Supply |
| | | |
| PFB300C | PFA112 | PFA113 |
| | | |
| PFA120 | PFA150 | PFA151 |

Winic Technologies USA Inc.

42 Central avenue, Farmingdale, New York 11735

Tel: 631-396-0800

Fax: 631-396-0805

Email: sales@winictech.com

www.winictech.com