

NCA06E-FEA

6 MP IR Network Fisheye Camera



NCA06E-FEA is a fisheye network camera capable of providing a 360-degree panoramic image of its surveillance scene. The progressive scan CMOS sensor provides high-resolution images of up to 3072 × 2048. Up to 18 live view display modes, designed for 3 mount types, meet various user preference. Three independently controlled IR lights offer a range of 15 m and provide good vision in low or even zero-light environment.

- 1/1.8" Progressive Scan CMOS
- Max. 3072 × 2048 @30fps
- Up to 18 live view display modes
- 120 dB WDR
- Up to 15m IR range
- Built-in microphone and speaker
- Smart features
 - 6 behavior analyses, and 3 exception detections
 - Heat map with deep learning algorithm
 - Intersection analysis by deep learning

NCA06E-FEA

6 MP IR Network Fisheye Camera

Specifications

Camera	
Image Sensor	1/1.8" Progressive Scan CMOS
Min. Illumination	Color: 0.047 Lux @ (F2.6, AGC ON), B/W: 0.0047 Lux @ (F2.6, AGC ON), 0 Lux with IR
Shutter Speed	1 s to 1/100,000 s
Slow Shutter	Yes
Day & Night	IR Cut Filter
Digital Noise Reduction	3D DNR
WDR	Digital WDR
Lens	
Focal Length	1.27 mm
Aperture	F2.6
FOV	Horizontal FOV 180° (wall mount), 360°(ceiling mount), 360°(table mount)
Lens Mount	M12
IR	
IR Range	Up to 15 m IR range, 3 LEDs. Each LED is independently controlled.
Wavelength	850 nm
Compression Standard	
Video Compression	Main stream: H.265+/H.265/H.264+/H.264 Sub stream: H.265/H.264/MJPEG
H.264 Type	Baseline Profile/ Main Profile /High Profile
H.264+	Main stream supports
H.265 Type	Main Profile
H.265+	Main stream supports
Video Bit Rate	32 Kbps to 16 Mbps
SVC	H.265 and H.264 support
Smart Feature-set	
Behavior Analysis	Line crossing detection, intrusion detection, region entrance detection, region exiting detection, unattended baggage detection, object removal detection
Exception Detection	Audio exception detection
Intersection Analysis	Detects and analyze flow in an intersection-like scene, and generate reports Support one intersection of up to 10 ways
Heat Map	A graphic description of visits (calculated by people number or by dwell time) in a configured area. Two heap map report types are available, space heat map and time heat map line chart
People Counting	Counts people entering, exiting and passing by separately Supports real-time uploading and uploading by statistic cycle Sends email reports on daily, weekly, monthly or annually basis Supports target filtering by height
Region of Interest	4 fixed regions for main stream
Image	
Max. Resolution	3072 × 2048
Main Stream	50Hz: 25fps (3072 × 2048, 2048 × 2048, 1280 × 1280)
Max. Frame Rate	60Hz: 30fps (3072 × 2048, 2048 × 2048, 1280 × 1280)
Sub Stream	50Hz: 25fps (720 × 720, 720 × 480)
Max. Frame Rate	60Hz: 30fps (720 × 720, 720 × 480)

NCA06E-FEA

6 MP IR Network Fisheye Camera

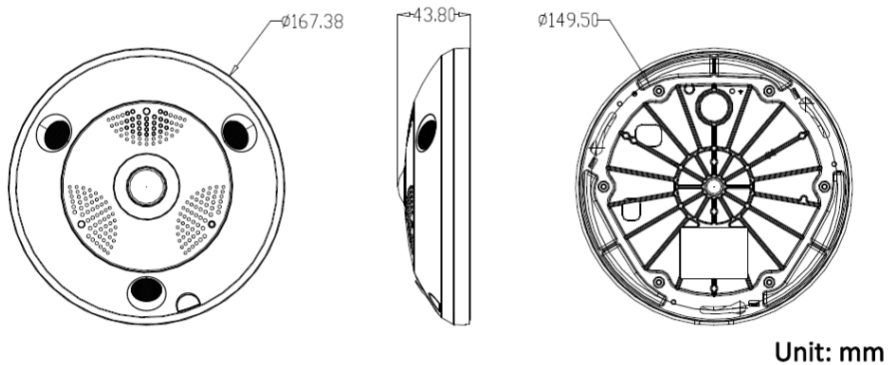
Image Enhancement	BLC, HLC, defog, 3D DNR
Image Setting	Saturation, brightness, contrast, sharpness, AGC and white balance are adjustable by client software or web browser
Day/Night Switch	Day/Night/Auto/Schedule/Triggered by Alarm In
Picture Overlay	LOGO picture can be overlaid on video with 128 × 128 24bit bmp format
Live View Display	
Mount Type	Support table, wall, and ceiling mounting
Decoding Mode	Support hardware decoding and software decoding
Display Mode	<p>18 display modes in total</p> <p>Software decoding:</p> <p>Ceiling mount: fisheye view, 180 panorama view, 360 panorama view, 360 panorama + PTZ, 360 panorama + 3PTZ, 360 panorama + 6PTZ, 360 panorama + 8PTZ, 2PTZ, 4PTZ, fisheye + 3PTZ, fisheye +8 PTZ, half sphere, cylinder</p> <p>Wall mount: fisheye view, panorama view, panorama + 3PTZ, panorama + 8PTZ, 4PTZ, fisheye + 3PTZ, fisheye +8 PTZ</p> <p>Table mount: fisheye view, 180 panorama view, 360 panorama view, 360 panorama + PTZ, 360 panorama + 3PTZ, 360 panorama + 6PTZ, 360 panorama + 8PTZ, 4PTZ, fisheye + 3PTZ, fisheye +8 PTZ, cylinder</p> <p>Hardware decoding:</p> <p>Ceiling mount: fisheye view, 180 panorama view, panorama view, 4PTZ, fisheye + 3PTZ, 4PTZ fusion</p> <p>Wall mount: fisheye view, 180 panorama view, panorama view, 4PTZ, fisheye + 3PTZ, 4PTZ fusion</p> <p>Table mount: fisheye view, 180 panorama view, panorama view, 4PTZ, fisheye + 3PTZ, 4PTZ fusion</p>
Audio	
Environment Noise Filtering	Yes
Audio Sampling Rate	8 kHz/16 kHz
Audio Compression	G.711/G.722.1/G.726/MP2L2/PCM
Audio Bit Rate	64Kbps(G.711)/16Kbps(G.722.1)/16Kbps(G.726)/32-160Kbps(MP2L2)
Network	
Network Storage	Support microSD/SDHC/SDXC card (256 G), local storage and NAS (NFS,SMB/CIFS), ANR
Alarm Trigger	Motion detection, video tampering alarm, network disconnected, IP address conflicted, illegal login, HDD full, HDD error
Protocols	TCP/IP, ICMP, HTTP, HTTPS, FTP, DHCP, DNS, DDNS, RTP, RTSP, RTCP, PPPoE, NTP, UPnP, SMTP, SNMP, IGMP, 802.1X, QoS, IPv6, UDP, Bonjour
Security Measure	Password protection, HTTPS encryption, IEEE 802.1x port-based network access control, IP address filter, basic and digest authentication for HTTP/HTTPS, WSSE and digest authentication for ONVIF
General Function	One-key reset, anti-flicker, heartbeat, mirror, password protection, privacy mask, watermark, IP address filter
Firmware Version	5.5.73
API	ONVIF (PROFILE S, PROFILE G), ISAPI
Simultaneous Live View	Up to 20 channels
User/Host	Up to 32 users. 3 user levels, administrator, operator and user
Client	CMS, Guarding Vision
Web Browser	IE8+, Chrome31.0-44, Firefox 30.0-51, Safari8.0+
Interface	
Communication Interface	1 RJ45 10M/100M/1000M self-adaptive Ethernet port
Audio	2 built-in microphones, 1 built-in speaker, mono sound 1 Audio input (line in, 3.5 mm), 1 audio output (line out, 3.5 mm)
Alarm	1-ch alarm input, max. 12 V; 1-ch alarm output, max 24 VDC, 1 A
On-board storage	Built-in micro SD/SDHC/SDXC slot, up to 256 GB

NCA06E-FEA

6 MP IR Network Fisheye Camera

Reset Button	Yes
General	
Operating Conditions	-40 °C to +60 °C (-40 °F to +140 °F), Humidity 95% or less (non-condensing)
Power Supply	12 VDC \pm 20%, PoE (802.3at, class 4), two-core terminal block
Power Consumption	12 VDC, 1 A, max. 12.5 W PoE (802.3at, 42.5 to 57 V), 0.4 A to 0.3 A, max. 15 W
Protection Level (-V)	IP67, IK8
Heater	Yes
Material	Metal
Dimensions	167.4 \times 152.8 \times 55 mm (6. 6" \times 6" \times 2.2")
Weight	Approx. 1400 g (3.09 lbs)

Dimensions



Accessories



1280ZJ-M25(M1)

Junction Box



1273ZJ-M1

Wall Mount



1271ZJ-DM25(M1)

Pendent Mounting