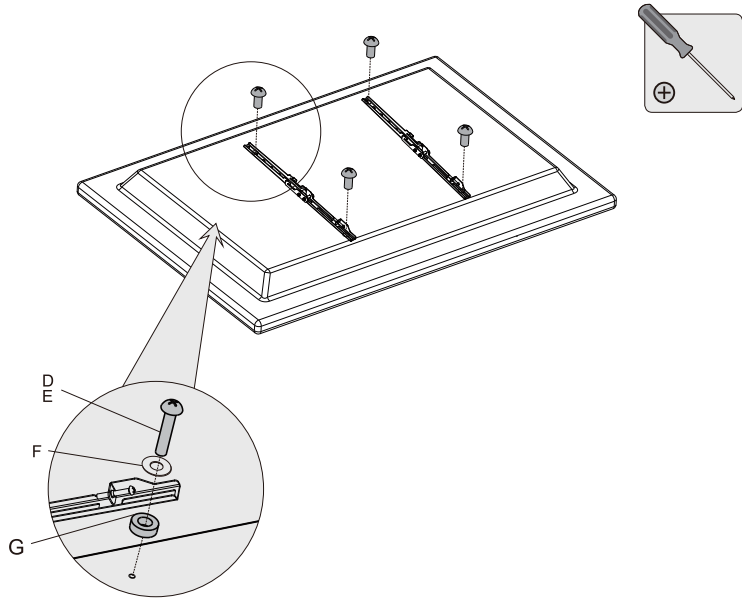
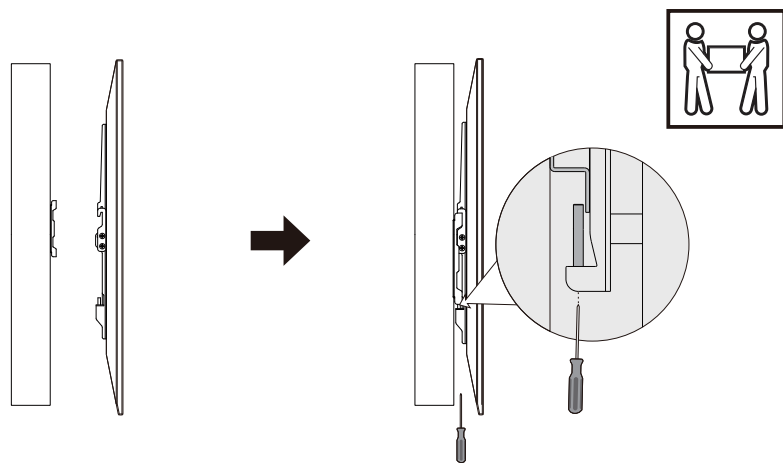


**Step 2: Mount Arm Onto TV**

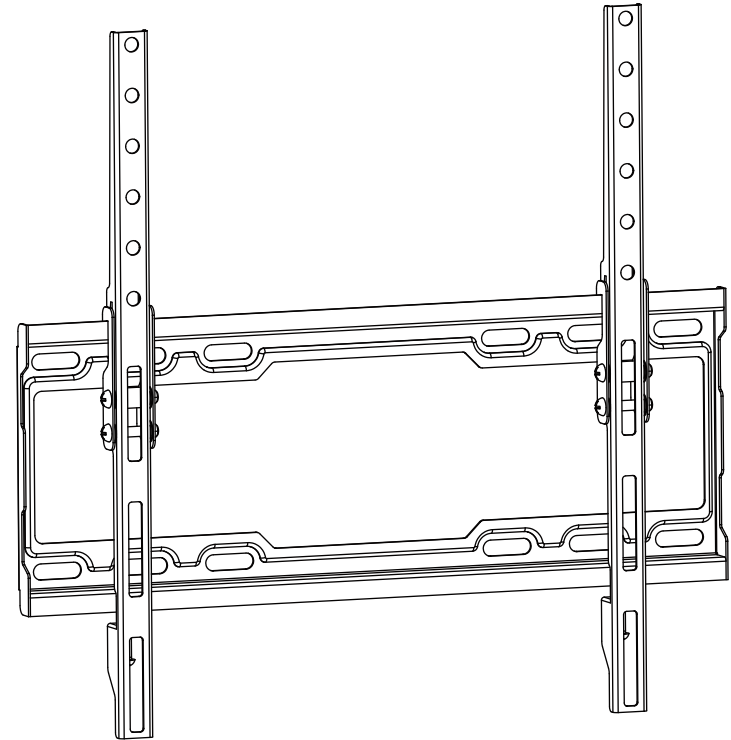


**Step 3: Attach And Lock Arm Onto Wall Plate And Enjoy**



**TILT TV Wall Mount**

**PB2655**



**VESA**  
75x75 100x100  
200x200 400x400

**MOST**  
**26" - 55"**  
TVs

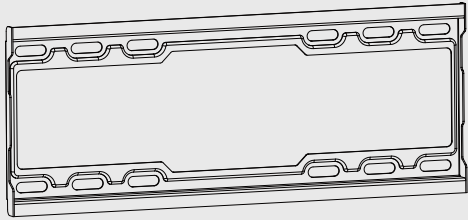
**Rated**  
**40kg/88lbs**



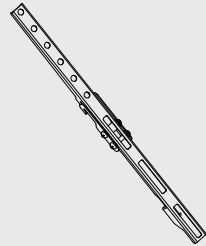
CAUTION: DO NOT EXCEED RATED LISTED WEIGHT. SERIOUS INJURY OR PROPERTY DAMAGE MAY OCCUR!

**NOTE:** Read the entire instruction manual before you start installation and assembly.

**Component Checklist:** Ensure that you have received all parts as below before installation. If any parts are missing or faulty, telephone your local distributor for a replacement.



Wall plate (x1)

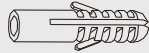


Arm (x2)

### Hardware



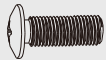
ST6.3x55 (x4)  
A



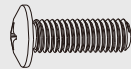
concrete anchor (x4)  
B



D6 washer (x4)  
C



M6x30 (x4)  
D



M8x30 (x4)  
E



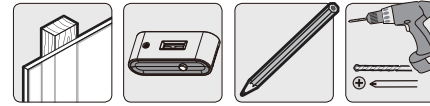
D8 washer (x4)  
F



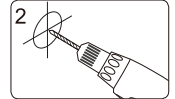
spacer (x4)  
G

## Step 1: Mount Wall Plate Onto The Wall

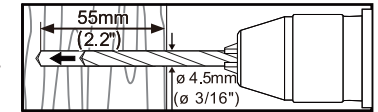
### 1.1 For Wood Stud Wall Mounting



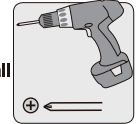
Mark the exact location of mounting holes



Drill pilot holes



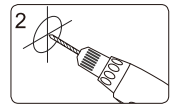
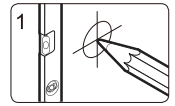
Screw the wall plate onto the wall



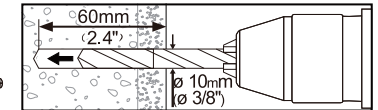
### 1.2 For Concrete Wall Mounting



Mark the exact location of mounting holes



Drill pilot holes



Screw the wall plate onto the wall

