

AR334-4A

TURBO ACUSENSE DVR



Key Feature

- Deep learning-based motion detection 2.0 for all analog channels
- Deep learning-based perimeter protection
- H.265 Pro+/H.265 Pro/H.265/H.264+/H.264 video compression
- HDTV/AVHD/CVI/CVBS/IP video inputs
- Audio via coaxial cable
- Up to 6-ch IP camera inputs (up to 6 MP)
- Up to 10 TB capacity per HDD



Compression and Recording

- H.265 Pro+ video compression improves encoding efficiency, and reduces data storage costs
- Full channel recording at up to 1080p resolution

Storage and Playback

- Smart search for efficient playback

Smart Function

- Deep learning-based motion detection, and perimeter protection (line crossing and intrusion detection)
- Support multiple VCA (Video Content Analytics) events for both analog and smart IP cameras

Network & Ethernet Access

- Compatible with major Wi-Fi dongle products in the market
- Guardingvision & DDNS (Dynamic Domain Name System) for easy network management
- Output bandwidth limit configurable

TURBO ACUSENSE DVR

▪ Specification

Motion Detection 2.0	
Human/Vehicle Analysis	<p>Deep learning-based motion detection 2.0 is enabled by default for all analog channels, it can classify human and vehicle, and extremely reduce false alarms caused by objects like leaves and lights;</p> <p>Quick search by object or event type is supported;</p>
Perimeter Protection	
Human/Vehicle Analysis	Up to 2-ch
Facial Detection	
Facial Detection and Capture	Face picture detection, face picture search
Recording	
Video Compression	H.265 Pro+/H.265 Pro/H.265/H.264+/H.264
Encoding Resolution	<p>When 1080p Lite mode is not enabled: 3K lite/5 MP lite/4 MP lite/1080p/720p/VGA/WD1/4CIF/CIF;</p> <p>When 1080p Lite mode is enabled: 3K lite/5 MP lite/4 MP lite/1080p lite/720p lite/VGA/WD1/4CIF/CIF</p>
Frame Rate	<p>Main stream:</p> <p>When 1080p Lite mode not enabled:</p> <p>For 3K stream access: 3K lite@12fps;4 MP lite/1080p@15fps;720p/WD1/4CIF/VGA/CIF@20fps</p> <p>For 5 MP stream access: 5 MP lite@12fps;4 MP lite/1080p@15fps;720p/WD1/4CIF/VGA/CIF@20fps</p> <p>For 4 MP stream access: 4 MP lite/1080p@15fps;720p/WD1/4CIF/VGA/CIF@25fps (P)/30fps (N)</p> <p>For 1080p stream access: 1080p/720p@15fps; VGA/WD1/4CIF/CIF@25fps (P)/30fps (N)</p> <p>For 720p stream access: 720p/VGA/WD1/4CIF/CIF@25fps (P)/30fps (N)</p> <p>When 1080p Lite mode enabled:</p> <p>3K lite/5 MP lite@12fps;4 MP lite@15fps;1080p lite/720p lite/VGA/WD1/4CIF/CIF@25fps (P)/30fps (N)</p> <p>Sub-stream: WD1/4CIF@12fps; CIF@25fps (P)/30fps (N)</p>
Video Bitrate	32 Kbps to 6 Mbps
Dual-stream	Support
Stream Type	Video, Video & Audio
Audio Compression	G.711u

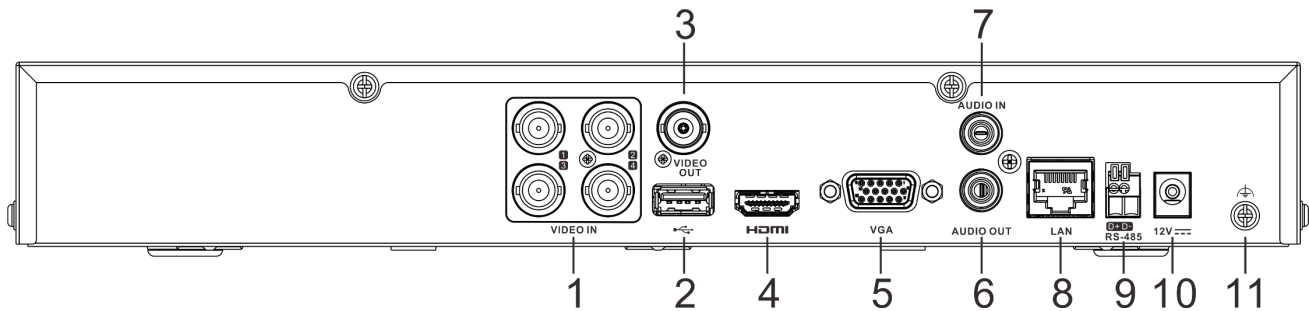
Audio Bitrate	64 Kbps
Video and Audio	
IP Video Input	1-ch (up to 5-ch) Up to 6 MP resolution Enhanced IP mode on: 2-ch (up to 6-ch), each up to 4 Mbps Support H.265+/H.265/H.264+/H.264 IP cameras
Analog Video Input	4-ch;BNC interface (1.0 Vp-p, 75 Ω), supporting coaxitron connection
HDMI Output	1-ch, 1920 × 1080/60Hz, 1280 × 1024/60Hz, 1280 × 720/60Hz, HDMI/VGA simultaneous output
CVBS Input	PAL/NTSC
CVBS Output	1-ch, BNC (1.0 Vp-p, 75 Ω), resolution: PAL: 704 × 576, NTSC: 704 × 480
Synchronous playback	4-ch
HDTV Input	3K@20 fps, 5 MP@20 fps, 4 MP@30 fps, 4 MP@25 fps,1080p@30 fps, 1080p@25 fps,720p@30 fps, 720p@25 fps
AHD Input	5 MP@20 fps,4 MP@30 fps, 4 MP@25 fps, 1080p@30 fps, 1080p@25 fps, 720p@30 fps, 720p@25 fps
VGA Output	1-ch, 1920 × 1080/60Hz, 1280 × 1024/60Hz, 1280 × 720/60Hz
HDCVI Input	5 MP@20 fps,4 MP@30 fps, 4 MP@25 fps, 1080p@30 fps, 1080p@25 fps, 720p@30 fps, 720p@25 fps
Audio Output	1-ch, RCA (Linear, 1 KΩ)
Audio Input	1-ch, RCA (2.0 Vp-p, 1 KΩ),4-ch via coaxial cable
Two-Way Audio	1-ch, RCA (2.0 Vp-p, 1 KΩ) (using the first audio input)
Network	
Total Bandwidth	72 Mbps
Network Protocol	TCP/IP, PPPoE, DHCP, Guardingvision, DNS, DDNS, NTP, SADP, NFS, iSCSI, UPnP™, HTTPS, ONVIF
Remote Connection	32
Network Interface	1, RJ45 10M/100M self-adaptive Ethernet interface
Auxiliary Interface	
SATA	1 SATA interface
Capacity	Up to 10 TB capacity for each disk
Serial Interface	RS-485 (half-duplex)
USB Interface	2 × USB 2.0
Alarm In/Out	N/A

General	
Power Supply	12 VDC, 1.5A
Consumption	≤ 18 W
Working Temperature	-10 °C to +55 °C (+14 °F to +131 °F)
Working Humidity	10% to 90%
Dimension (W × D × H)	315 × 242 × 45 mm (12.4 × 9.5 × 1.8 inch)
Weight	≤ 1.16 kg (2.6 lb)

Note:

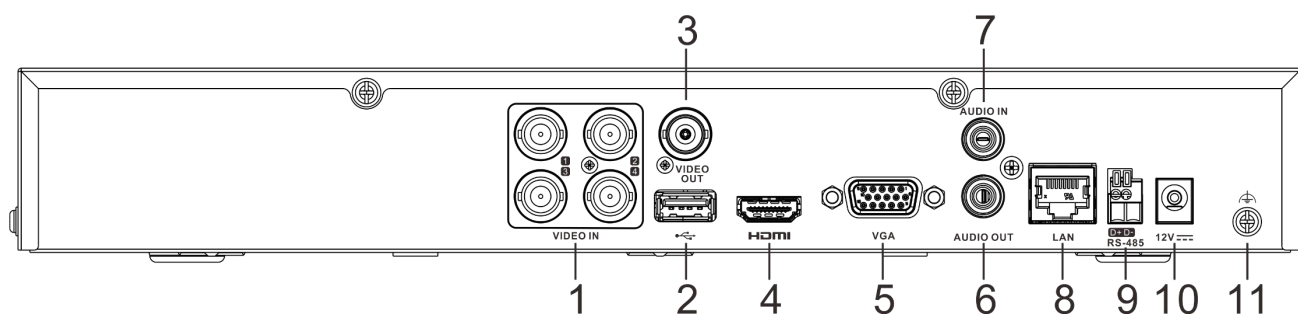
- 1: Motion detection 2.0 and perimeter protection cannot be enabled at the same time. Enable one function will make the other one unavailable.
- 2: Enhanced IP mode might be conflicted with smart events (motion detection 2.0 and perimeter protection) or other functions, please refer to the user manual for details.
- 3: The number of audio inputs and alarm in/out can be optional. The tag on the package will describe audio input and alarm in/out parameters. For example, “4A+8/4ALM” means your device has 4 audio inputs, 8 alarm inputs and 4 alarm outputs. If your device only has 1 audio input, the tag may not describe it.

Physical Interface



No.	Description	No.	Description
1	VIDEO IN	7	AUDIO IN, RCA connector
2	USB interface	8	LAN network interface
3	VIDEO OUT	9	RS-485 serial interface
4	HDMI interface	10	12 VDC power input
5	VGA interface	11	GND
6	AUDIO OUT, RCA connector		

Physical Interface



No.	Description	No.	Description
1	VIDEO IN	7	AUDIO IN, RCA connector
2	USB interface	8	LAN network interface
3	VIDEO OUT	9	RS-485 serial interface
4	HDMI interface	10	12 VDC power input
5	VGA interface	11	GND
6	AUDIO OUT, RCA connector		