

EM and Temic Credentials

Datasheet



Introduction

Rosslare offers a large selection of high-quality, long-lasting credentials that are compatible with today's most popular devices and are recognized for their high number of possible reads. The 125 kHz EM and Temic credentials are highly reliable, interference-free, and are ideally suited for a variety of applications and environments while keeping the solution cost-effective.

General Description

The 125 kHz EM and Temic smart card credentials are strong, sturdy, and robust.

The 125 kHz EM smart card credentials are available as an ISO card that can be directly printed on.

The EM credentials are available as an ISO card, a clamshell card, or in a key FOB form factor. The ISO card and clamshell card can be printed on directly. The key FOB has engraved numbers on it.

Main Features

- 125 kHz Smart card technology
- 32 Byte memory
- ISO card and clamshell card form factors with optional inkjet printing
- Twist and ring key fob form factors with optional laser engraving

Catalog List - Temic

Part Number	Type	Memory Size	Form Factor	Credential Format	ID Printing
AT-TUC-000-0000	Programmable	32 Bytes	Clamshell Card	Not Formatted	No ID Printed
AT-TUC-000-0001					
AT-TUS-000-0000	Programmable	32 Bytes	ISO Card (PVC)	Not Formatted	No ID Printed
AT-TUS-000-0001					

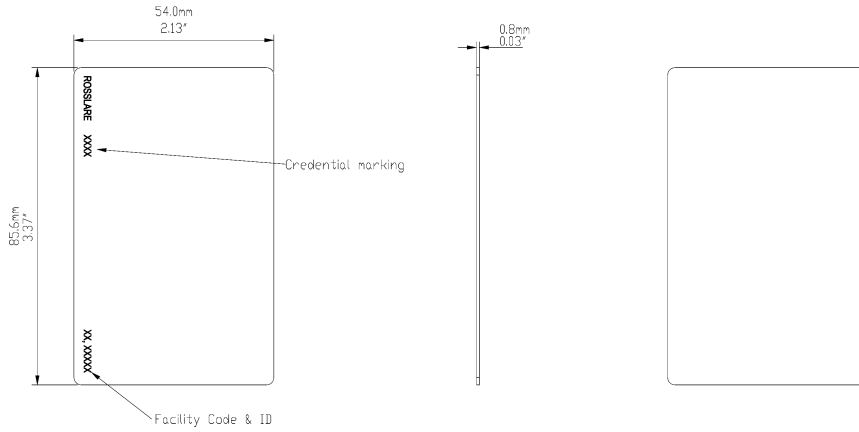
Catalog List - EM Compatible

Part Number	Type	Memory Size	Form Factor	Credential Format	ID Printing
AT-ERC-26A-3000	Not Programmable	Read Only	Clamshell Card	Wiegand 26-bit	Inkjet - FC & Card ID (decimal)
AT-ERC-26A-3001					
AT-ERS-26A-3001	Not Programmable	Read Only	ISO Card (PVC)	Wiegand 26-bit	Inkjet - FC & Card ID (decimal)
AT-ERS-26A-3000					
AT-ERK-26A-7RB0	Not Programmable	Read Only	Key FOB (Ring)	Wiegand 26-bit	Laser Engraving - FC & Card ID (decimal)
AT-ERK-26A-7RL0					
AT-ERK-26A-7TB0	Not Programmable	Read Only	Key FOB (Twist)	Wiegand 26-bit	Laser Engraving - FC & Card ID (decimal)
AT-ERK-26A-7TL0					

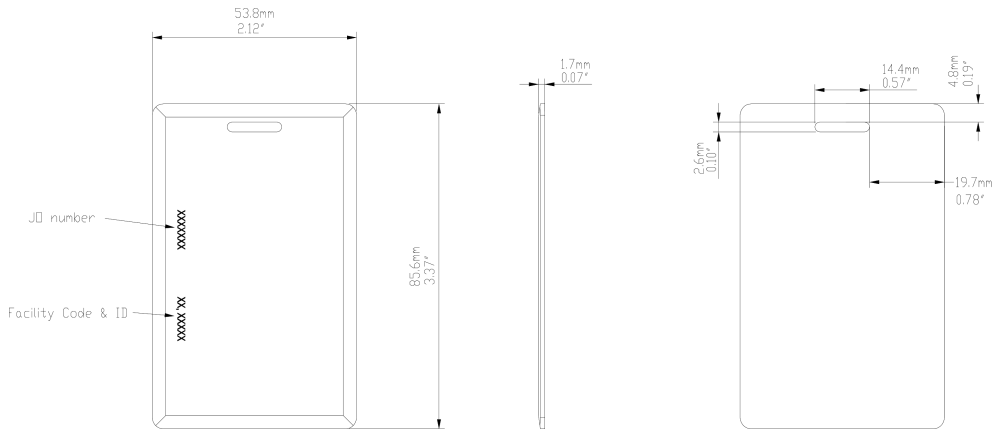
Technical Specifications

OPERATING	ISO Card	Clamshell Card	Key FOB (Ring)	Key FOB (Twist)
Frequency	125 kHz	125 kHz	125 kHz	125 kHz
Read Range	20 mm to 60 mm (0.8 in. to 2.4 in.)	Within 40 mm (1.57 in.)	Within 40 mm (1.57 in.)	Within 40 mm (1.57 in.)
ENVIRONMENTAL	ISO Card	Clamshell Card	Key FOB (Ring)	Key FOB (Twist)
Operating Temperature Range	-25°C to 50°C (-13°F to 122°F)	-35°C to 50°C (-31°F to 122°F)	-20°C to 50°C (-4°F to 122°F)	-20°C to 50°C (-4°F to 122°F)
Operating Humidity Range	0% to 90% (non-condensing)	0% to 90% (non-condensing)	0% to 90% (non-condensing)	0% to 90% (non-condensing)
Operating Storage Range	-25°C to 50°C (-13°F to 122°F)	-20°C to 50°C (-4°F to 122°F)	-20°C to 50°C (-4°F to 122°F)	-20°C to 50°C (-4°F to 122°F)
PHYSICAL	ISO Card	Clamshell Card	Key FOB (Ring)	Key FOB (Twist)
Material Type	PVC	ABS	ABS	PC
Color	White	White	Black, Blue	Black, Blue
Surface Finish	Glossy	Glossy	EDM texture	EDM texture
Dimensions (H x W x D)	85.6 x 54.0 x 0.8 mm (3.37 x 2.13 x 0.03 in.)	85.6 x 53.8 x 1.7 mm (3.77 x 2.12 x 0.07 in.)	32.9 x 42.1 x 6.2 mm (1.30 x 1.66 x 0.24 in.)	40.0 x 27.0 x 9.8 mm (1.57 x 1.06 x 0.39 in.)
Weight	5.7 g (0.2 oz)	8.7 g (0.3 oz)	3 g (0.1 oz)	4 g (0.1 oz)

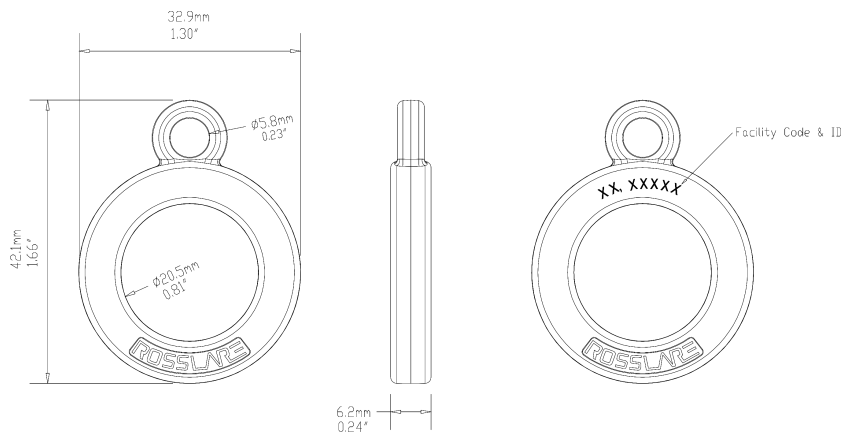
ISO Card



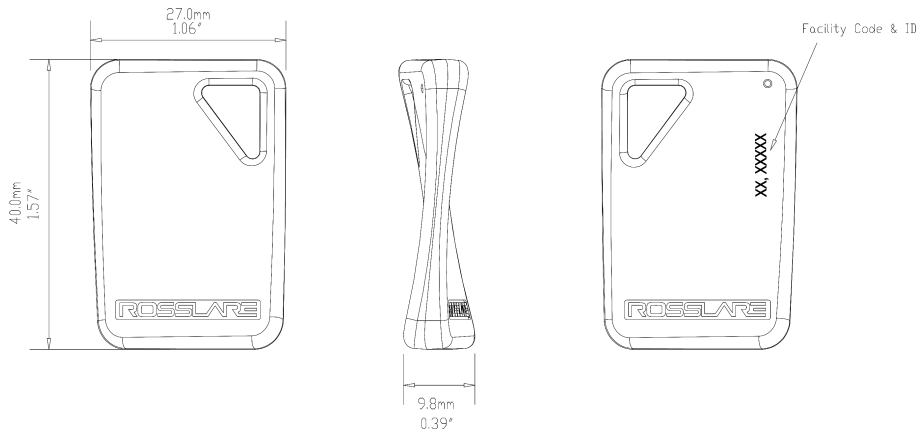
Clamshell Card



Key FOB (Ring)



Key FOB (Twist)



• EN ISO 13485



MIFARE and MIFARE Classic are trademarks of NXP B.V. | MIFARE and MIFARE Plus are registered trademarks of NXP B.V. | MIFARE and MIFARE Ultralight are registered trademarks of NXP B. V. | All product names, logos, and brands are property of their respective owners.

DISCLAIMER: The data contained within Rosslare's materials or documentation is intended to provide only general information about products available for purchase from Rosslare Enterprises Ltd. and its associated companies ("Rosslare"). Reasonable efforts have been made to ensure the accuracy of this information. However, it might contain typographic errors, inaccuracies, or omissions that may relate to product descriptions, visual pictures, specifications, and other details. All technical specifications weights, measures and colors shown, are best approximations. Rosslare can not be held responsible and assumes no legal liability for the accuracy or completeness of the information provided. Rosslare reserves the right to change, delete, or otherwise modify the information, which is represented, at any time, without any prior notice.

© 2022 Rosslare Enterprises Ltd. All rights reserved.

For more information regarding support, visit <https://support.rosslaresecurity.com>.