



**SPECIFICATION**

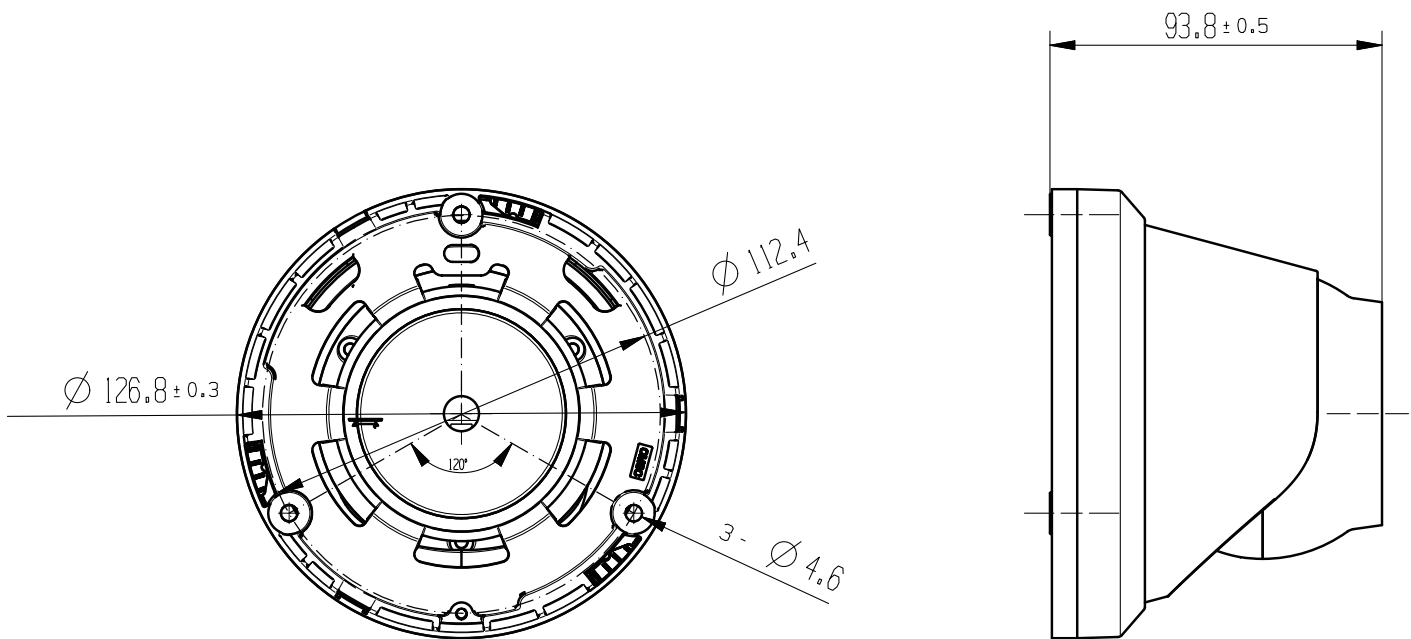
<b>Video Output Mode</b>	AHD/TVI/CVI: 8M@15fps/12.5fps, 4M/2M@30fps/25fps
<b>Camera</b>	
Image Sensor	1/2.8" SONY CMOS sensor
Image Resolution	8M:3840*2160 4M:2560*1440 2M:1920*1080
TV System	PAL/NTSC
Electronic Shutter	Auto
Minimum Illumination	Color : 0.01 lux@F1.6, AGC ON; B/W : 0 lux with IR
Scanning System	Progressive Scan
<b>Lens</b>	
Focus Length	2.8mm
Focus Control	Fixed
Lens Type	Fixed
<b>Night Vision</b>	
IR Cut Filter	YES
Infrared LED	42μ x 2PCS
Infrared Distance	25M
IR Status	AGC Auto Control
<b>Camera Features</b>	
Starlight	N/A
Day/Night	YES/NO
OSD Menu	YES
WDR	120dB
UTC	YES
Noise Reduction	3DNR
Coaxial Audio	N/A
White Balance	AUTO / MANUAL
Gain Control	AUTO
<b>General</b>	
Housing	Metal (Ring Plastic) , IP67
Bracket	NO
Operation Temperature	-10°C ~ +60°C RH95% Max
Storage Temperature	-20°C ~ +60°C RH95% Max
Power Source	DC12V±10%, 500mA
Dimension	φ126.8 x 93.8(H) mm
Weight	750g

**4K Color Day & Night TVI Turret Camera**

## Technical Specifications

Model	CMSC
Main material	Aluminum & PC+ABS
Dimension(WxHxD)	Φ126.8 x 93.8 mm
Weight	750g
Color	White
Operating Temperature	-20°C ~ +80°C
Humidity	< 85% RH
Waterproof grade	IP67
Optional Accessory	B245

## Dimensions (mm)



- Accessory

- Optional

1271ZJ-130-TRL Pendant Mount		1273ZJ-130B-TRL Wall mount	1275ZJ-SUS Vertical Pole Mount	1273ZJ-130-TRL Wall mount
				
1280ZJ-DM8 Junction box	1276ZJ-SUS Corner mount	B1-XD-W		
				