

AC324F-MD

HD 1080p IR Turret Camera



- 2 megapixel high performance CMOS
- Analog HD output, up to 1080p resolution
- Day/Night switch
- Smart IR
- Up to 20 m IR distance
- Switchable TVI/AHD/CVI/CVBS
- IP66

AC324F-MD



HD 1080p IR Turret Camera

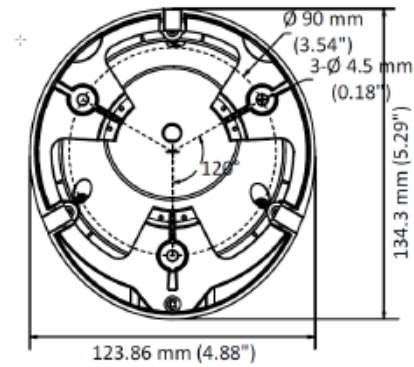
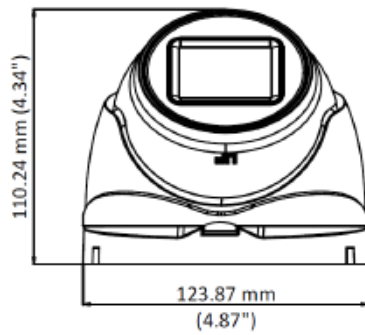
Specification

| Camera | |
|--------------------------|--|
| Image Sensor | 2MP CMOS Image Sensor |
| Signal System | PAL/NTSC |
| Frame Rate | PAL: 1080p@25fps NTSC: 1080p@30fps |
| Resolution | 1920 (H) × 1080 (V) |
| Min. illumination | 0.01 Lux@(F1.2, AGC ON), 0 Lux with IR |
| Shutter Time | 1/25 (1/30) s to 1/50,000 s |
| Lens | 3.6 mm 2.8 mm, 6 mm fixed lens |
| Horizontal Field of View | 103° (2.8 mm), 82.2° (3.6 mm), 54° (6 mm) |
| Lens Mount | M12 |
| Day & Night | IR cut filter |
| Angle Adjustment | Pan: 0° to 360°, Tilt: 0° to 75°, Rotation: 0° to 360° |
| Synchronization | Internal synchronization |
| Menu | |
| AGC | Low/middle/high |
| Day/Night Mode | Smart/color/BW(Black and White) |
| Backlight Compensation | Yes |
| DWDR | Yes |
| Language | English, Chinese |
| Functions | Brightness, Sharpness, DNR, Mirror |
| Interface | |
| Video Output | 1 HD analog output |
| Switch Button | TVI/AHD/CVI/CVBS |
| General | |
| Operating Conditions | -40 °C to 60 °C (-40 °F to 140 °F), Humidity: 90% or less (non-condensation) |
| Power Supply | 12 VDC ± 15% |
| Power Consumption | Max. 4 W |
| Ingress Protection | IP66 |
| Material | Metal |
| IR Range | Up to 20 m |
| Dimensions | 89.47 × 67.6 mm (3.52" × 2.7") |
| Weight | 340 g (0.75 lb.) |

AC324F-MD

HD 1080p IR Turret Camera

Dimensions



Accessories



DS-1272ZJ-110-TRS
Wall Mounting Bracket



DS-1275ZJ-SUS
Vertical Pole Mounting Bracket



DS-1276ZJ-SUS
Corner Mounting Bracket



DS-1280ZJ-XS
Junction Bo