

IPC-PD40212-W

2Mp Full HD 12x Mini Network PTZ Dome Camera



Features

- Powerful 12x optical zoom
- Support Triple-streams encoding
- Max. 25/30fps@1080P(1920×1080) & 50/60fps@720P resolution
- DWDR, Day/Night (ICR), DNR (2D&3D), Auto iris, Auto focus, AWB, AGC, BLC
- Max 300°/s pan speed, 360° continuous pan rotation
- Up to 80 presets, 5 auto scan, 8 tour, 5 pattern
- Built-in 2/1 alarm in/out
- Support intelligent 3D positioning with DH-SD protocol
- IP66(outdoor), IK10, POE+

IPC-PD40212-W



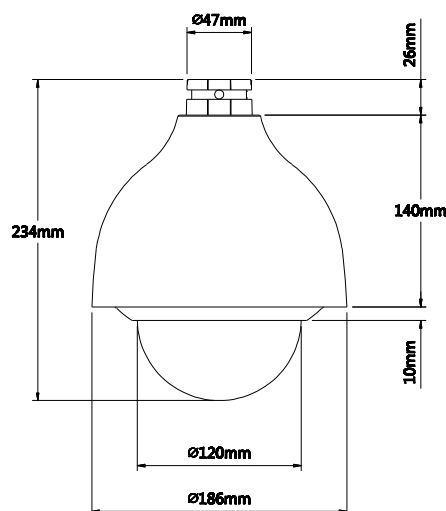
Technical Specifications:

Model	IPC-PD40212-W	
Camera		
Image Sensor	1/2.8" Exmor CMOS	
Effective Pixels	1944(H) x 1092(V), 2 Megapixels	
Horizontal Resolution	>1000TVL	
Scanning System	Progressive	
Electronic Shutter Speed	1/3s ~1/30,000s	
Min. Illumination	Color: 0.05 Lux/F1.6, B/W: 0.005Lux/F1.6	
S/N Ratio	More than 55dB	
Camera Features		
Day/Night	Auto(ICR) / Color / B/W	
Backlight Compensation	BLC / HLC / DWDR (Digital WDR)	
White Balance	Auto, ATW, Indoor, Outdoor, Manual	
Gain Control	Auto / Manual	
Noise Reduction	2D / 3D	
Privacy Masking	Up to 24 areas	
Digital Zoom	16x	
Lens		
Focal Length	5.1 mm~61.2mm (12x Optical zoom)	
Max Aperture	F1.6~ F3.0	
Focus Control	Auto / Manual	
Angle of View	H: 51.3° ~ 4.64°	
Close Focus Distance	100mm~1000mm	
PTZ		
Pan/Tilt Range	Pan: 0° ~ 360° endless; Tilt: -2° ~ 90°, auto flip 180°	
Manual Control Speed	Pan: 0.1° ~ 300°/s; Tilt: 0.1° ~120°/s	
Preset Speed	Pan: 300°/s; Tilt:200°/s	
Preset	80(DH-SD)	
PTZ Mode	5 Pattern, 8 Tour, 5 Auto Scan, Auto Pan	
Speed Setup	Human-oriented focal length/ speed adaptation	
Power up Action	Auto restore to previous PTZ and lens status after power failure	
Idle Motion	Activate Preset/Pan/Scan/Tour/Pattern if there is no command in the specified period	
Video		
Compression	H.264 / MJPEG	
Resolution	1080P(1920×1080)/720P(1280×720)/D1(704×576/704×480)/CIF(352×288/352×240)	
Frame Rate	Main Stream	1080P/ D1 (1 ~ 25/30fps), 720P(1~50/60fps)
	Sub Stream 1	D1/CIF(1 ~ 25/30fps)

IPC-PD40212-W

	Sub Stream 2	720P/D1/ CIF (1 ~ 25/30fps)
Bit Rate		H.264: 448K ~ 8192Kbps, MJPEG: 56K ~ 20480Kbps
Audio		
Compression		G.711a / G.711u (32kbps) / PCM (128kbps)
Interface		1/1 channel In/Out
Network		
Ethernet		RJ-45 (10/100Base-T)
Protocol		IPv4/IPv6, HTTP, HTTPS, SSL, TCP/IP, UDP, UPnP, ICMP, IGMP, SNMP, RTSP, RTP, SMTP, NTP, DHCP, DNS, PPPOE, DDNS, FTP, IP Filter, QoS, Bonjour
Compatibility		ONVIF PSIA CGI
Max. User Access		20 users
Smart Phone		iPhone, iPad, Android, Windows Phone
Auxiliary Interface		
Memory Slot		Micro SD, Max 64GB
RS485		N/A
Alarm		2/1 channel In/Out
General		
Power Supply		AC24V/1.5A (±10%), POE plus (802.3at)
Power Consumption		12W, 22W(Heater on)
Working Environment		-40°C ~ 60°C / Less than 90% RH
Ingress Protection		IP66
Vandal Resistance		IK10
Dimensions		Φ186mm×234mm
Weight		2.3Kg

Dimensions (mm)



IPC-PD40212-W

Accessories

		
PFB300S	PFA110	Power Supply

Accessories (Optional)

					
PFB300C	PFA112	PFA113	PFA120	PFA150	PFA151

Winic Technologies USA Inc.

42 Central Avenue, Farmingdale, New York

11735 Tel: +631-396-0800

Fax: +631-396-0805

Email: sales@winictech.com

www.winictech.com

*Design and specifications are subject to change without notice.