

IPC-PD50230-W

2Mp Full HD 20x/30x Ultra-high Speed Network PTZ Dome Camera



Features

- 20x/30x optical zoom
- H.264 & MJPEG dual-stream encoding
- Max. 25/30fps@1080P(1920×1080) & 50/60fps@720P resolution
- DWDR, Day/Night(ICR), Ultra DNR, Auto iris, Auto focus
- Multiple network monitoring: Web viewer, CMS(DSS/PSS) & DMSS
- Max 500°/s pan speed, 360° endless pan rotation
- Up to 300 presets, 5 auto scan, 8 tour, 5 pattern
- Built-in 2/1 alarm in/out
- Support intelligent 3D positioning with DH-SD protocol
- Micro SD memory, IP67(outdoor), IK10

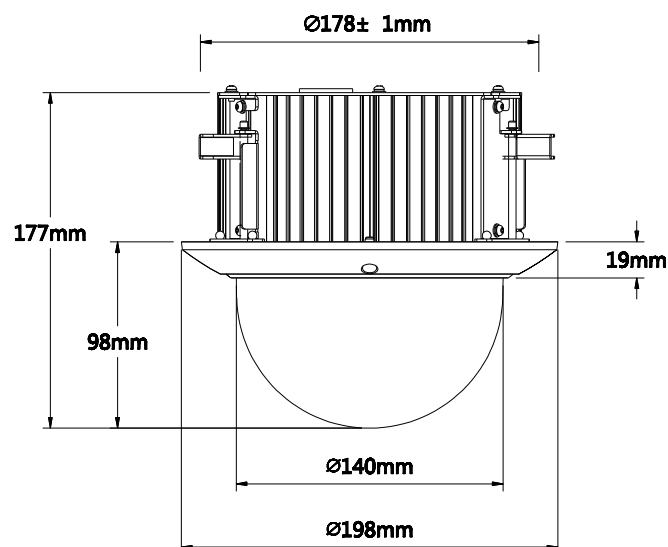
Technical Specifications

Model	IPC-PD50230-W	
Camera		
Image Sensor	1/2.8" Exmor CMOS	
Effective Pixels	1920(H) x 1080(V), 2Megapixels	
Scanning System	Progressive	
Electronic Shutter Speed	1/3 ~ 1/30,000s	
Min. Illumination	Color: 0.05Lux@F1.6; B/W: 0.005Lux@F1.6	
S/N Ratio	More than 55dB	
Camera Features		
Day/Night	Auto(ICR) / Color / B/W	
Backlight Compensation	BLC / HLC / DWDR (Digital WDR)	
White Balance	Auto, ATW, Indoor, Outdoor, Manual	
Gain Control	Auto / Manual	
Noise Reduction	Ultra DNR (2D/3D)	
Privacy Masking	Up to 24 areas	
Digital Zoom	16x	
Lens		
Focal Length	4.3mm~129mm (30x Optical zoom)	
Max Aperture	F1.6~ F5.0	
Focus Control	Auto / Manual	
Angle of View	H: 65.1° ~ 2.34°	
Close Focus Distance	100mm~1000mm	
PTZ		
Pan/Tilt Range	Pan: 0° ~ 360° endless; Tilt: 0° ~ 90°, auto flip 180°	
Manual Control Speed	Pan: 0.1° ~ 350° /s; Tilt: 0.1° ~ 250° /s	
Preset Speed	Pan: 500° /s; Tilt: 500° /s	
Preset	300(DH-SD)	
PTZ Mode	5 Pattern, 8 Tour, Auto Pan, Auto Scan	
Speed Setup	Human-oriented focal length/ speed adaptation	
Power up Action	Auto restore to previous PTZ and lens status after power failure	
Idle Motion	Activate Preset/ Pan/ Scan/ Tour/ Pattern if there is no command in the specified period	
Protocol	DH-SD(Auto recognition)	
Video		
Compression	H.264 / MJPEG	
Resolution	1080P(1920×1080)/ 720P(1280×720) / D1(704×576/ 704×480) /CIF (352×288/352×240)	
Frame Rate	Main Stream	1080P/ D1 (1 ~ 25/30fps), 720P(1~50/60fps)

IPC-PD50230-W

	Sub Stream	D1/CIF(1 ~ 25/30fps)
Bit Rate		H.264: 448K ~ 8192Kbps
Audio		
Compression		G.711a / G.711Mu(32kbps)/ PCM(128kbps)
Interface		1/1 channel In/Out
Network		
Ethernet		RJ-45 (10/100Base-T)
Protocol		IPv4/ IPv6, HTTP, HTTPS, SSL, TCP/IP, UDP, UPnP, ICMP, IGMP, SNMP, RTSP, RTP, SMTP, NTP, DHCP, DNS, PPPOE, DDNS, FTP, IP Filter, QoS,
Compatibility		ONVIF PSIA CGI
Max. User Access		20 users
Smart Phone		iPhone, iPad, Android, Windows Phone
Auxiliary Interface		
Memory Slot		Micro SD, Max 64GB
Alarm		2/1 channel In/Out
General		
Power Supply		AC24V/1.5A ($\pm 10\%$), POE plus (802.3at)
Power Consumption		Outdoor: 13W, 23W (Heater on) In-ceiling: 13W
Working Environment		Outdoor: $-40^{\circ}\text{C} \sim 60^{\circ}\text{C}$ / Less than 90% RH In-ceiling: $-20^{\circ}\text{C} \sim 60^{\circ}\text{C}$ / Less than 90% RH
Ingress Protection		IP67(Outdoor), IK10
Dimensions		Outdoor: $\Phi 186.0(\text{mm}) \times 253(\text{mm})$ In-ceiling: $\Phi 198(\text{mm}) \times 177(\text{mm})$
Weight		Outdoor: 2.5kg In-ceiling: 2.2Kg

Dimensions (mm)



IPC-PD50230-W

Accessories

		
PFB300S	PFA110	Power Supply

Accessories (Optional)

					
PFB300C	PFA112	PFA113	PFA120	PFA150	PFA151

Winic Technologies USA Inc.

42 Central Avenue, Farmingdale, New York

11735 Tel: +631-396-0800

Fax: +631-396-0805

Email: sales@winictech.com

www.winictech.com

*Design and specifications are subject to change without notice.