

---

## HDCVI/VPI35/2M/2812

2 Megapixel 1080P HD CVI IR VP Dome Camera



### Features

- 1/2.8" Sony CMOS Sensor**
- Super low light performance**
- HDCVI lossless video output**
- Support ICR switch, True D/N function**
- 1080P real time image, High resolution**
- Support switch to analog mode**
- Long distance, Real time transmission**



## Specifications

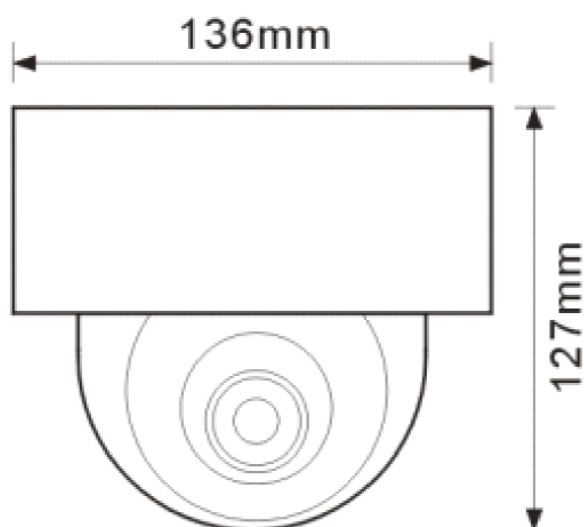
<b>Camera</b>	
Image Sensor	1/2.8" SONY IMX222
Resolution	1920(H)×1080(V)
Image System	PAL/NTSC
Resolution	Digital:1080(30p)
Min.Illumination	0.01Lux(O Lux LED ON)
White Balance	Auto White Balance
Video Standard	Follow HDCVI High Definition Video Standard
Frame Rate	1920×1080@25 fps;1920×1080@30 fps
Electronic shutter	1/50s~1/3,000s
OSD	Build-in
Exposure Mode	Auto/BLC/HLC
Advanced Function	2D-DNR
Transfer Distance	up to 500 meters(75-3)
<b>Lens</b>	
Lens	2.8-12mm
<b>General</b>	
IR	35IR
IR Distance	25-35m
Power Supply	DC12V
Power Consumption	350mA
Working Temperature	-10°C~+50°C



---

Unit G.W.	1.3 kg
Gift Box Size	161mm*161mm*161mm
Package/CTN	16pcs /CTN
CTN G.W.	20kg
Meas.	661mm(L)*337mm(W)*385mm(H)

### Dimensions (mm)



---

#### **Winic Technologies USA Inc.**

42 Central avenue, Farmingdale, New York 11735

Tel: +631-396-0800

Fax: +631-396-0805

Email:sales@winictech.com

www.winictech.com

\*Design and specifications are subject to change without notice.