

W-HDCVI-IR10-1M-2812-W

1Megapixel 720P HD CVI IR Bullet Camera

Features

1/3" 1Megapixel CMOS Sensor

25/30fps@720P

High speed, long distance real-time transmission

Day/Night(ICR), AWB, AGC, BLC



Specifications

Camera	
Image Sensor	1/3" 1Megapixel CMOS
Effective Pixel	1280(H)×720(V)
Video Frame Rate	PAL:25fps@720P NTSC:30fps@720P
Electronic Shutter	PAL:1/50s~1/100,000s NTSC:1/60s~1/100,000s
Min.Illumination	0.01Lux@F1.2, (0Lux IR on)
OSD	NO
Synchronization	Internal
TV system	PAL/NTSC
Lens	
Lens	2.8-12mm
General	
IR	10pcs Super Led IR
IR Distance	40-70m
Power Supply	DC12V
Power Consumption	800mA
Working Temperature	-10°C~+50°C

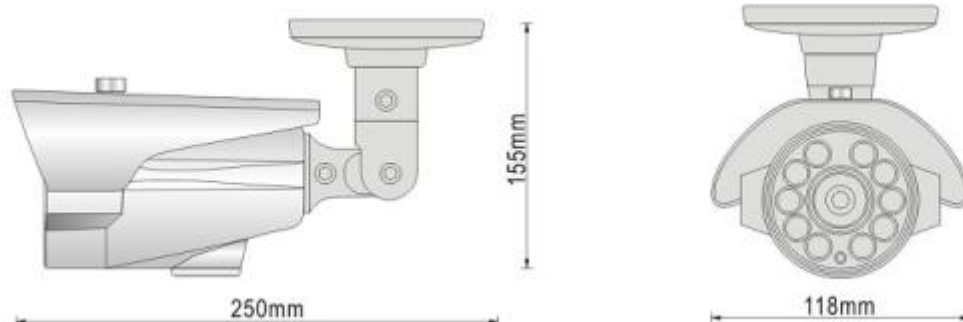
W-HDCVI-IR10-1M-2812-W

1Megapixel 720P HD CVI IR Bullet Camera

Packing Information

Unit G.W.	1.6kg
Gift Box Size	293mm*175mm*136mm
Package/CTN	16pcs /CTN
CTN G.W.	25kg
Meas.	605mm(L)*570mm(W)*370mm(H)

Dimensions (mm)



Winic Technologies USA Inc.
42 Central Avenue, Farmingdale, New York 11735
Tel: +631-396-0800
Fax: +631-396-0805
Email: sales@winictech.com
www.winictech.com