

W-HDC/VPI35/2.4M/Z

2.4Megapixel 1080P HD Motorized Vari Focal 4 In 1 Cameras



Features

- 1/3" 2.4Megapixel high-performance CMOS
- Analog HD output, up to 1080P resolution
- 2.8-12mm motorized vari-focal lens
- rue Day/Night
- OSD menu, 3DNR
- True WDR, up to 120dB
- IR Led: \varnothing 5X Super Led35IR
- IP66 weatherproof
- Up the Coax(HIKVISION-C、TVT-COC)
- Support AHD/ CVI/ TVI/ CVBS/ Analog transfer



W-HDC/VPI35/2.4M/Z

2.4Megapixel 1080P HD Motorized Vari Focal 4 In 1 Cameras

Specifications

Camera	
Image Sensor	1/3" 2.4 MP CMOS Image Senor
Signal system	PAL/NTSC
Effective Pixel	1944(H)×1092(V)
Min.Illumination	Color:0.1lux.BW:0.5lux.Color.DSS:0.017lux.BW DSS:0.0008lux
Shutter Time	PAL:1/50s~1/30,000s/NTSC:1/60s~1/30,000s
Lens	Motorized VF lens: 2.8-12mm
Lens Mount	ϕ 5
Day/night	Auto/Color/B&W/EXTERN
Wide Dynamic Range	Yes(120dB)
Video Frame Rate	PAL:25fps@1080P/NTSC:30fps@1080P
HD Video Output	AHD/ CVI/ TVI/ CVBS(Long press the confirmation key switching TVI/AHD /CVI)
Synchronization	Internal
Noise Reduction	Off/Low/Middle/High
S/N Ratio	More than 50Db(AGC off)
Up the Coax	Support
Menu	
Auto White Balance	Auto/MWB
OSD	Yes
BLC	Support(all day /only night)
AGC	Support
language	English/Chinese/Korean.etc
Private Mask	On/off,maximum 16zones
Function	WDR;3DNR;Mirror;Digital Zoom;Defog;Privacy Masking
General	
Power Supply	DC12V±15%
Power Consumption	550mA
Working Temperature	-10° C~+45° C
Ingress Protection	IP66
Max.IR LEDs lenght	25-35m
Transmission Distance	Over 300m via 75-3 coaxial cable

Packing Information

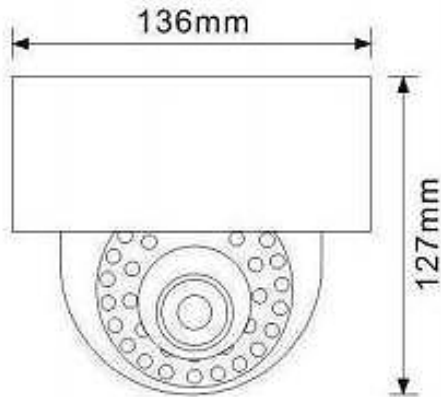
Unit G.W.	0.83KG
Dimensions	136mm*127mm
Package/CTN	16PCS/CTN
CTN G.W.	20KG
Meas.	661*337*385mm



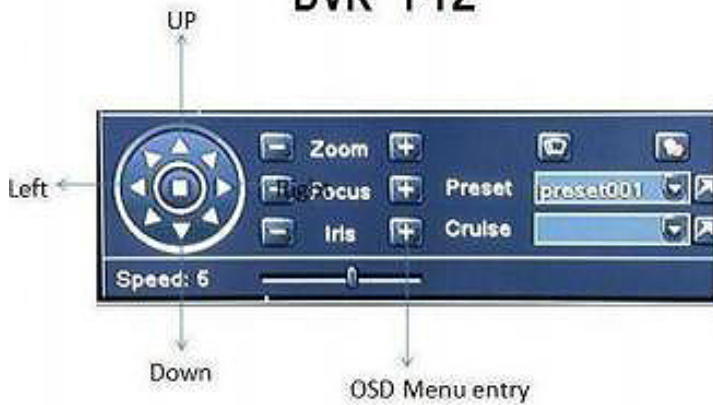
W-HDC/VPI35/2.4M/Z

2.4Megapixel 1080P HD Motorized Vari Focal 4 In 1 Cameras

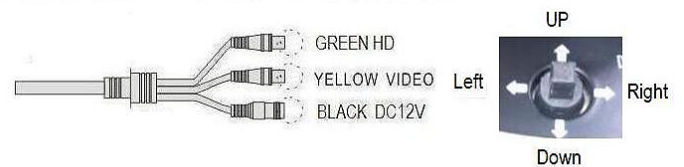
Dimensions (mm)



DVR PTZ



MENU



- 1. The factory default output TVI.
- 2. Long press the confirmation key switching TVI AHD CVI.

Winic Technologies USA Inc.

42 Central avenue, Farmingdale, New York 11735
Tel: +631-396-0800
Fax: +631-396-0805
Email:sales@winictech.com
www.winictech.com

*Design and specifications are subject to change without notice.