

IPC-EB133M-IR-3.6



3MP Full HD Network Small IR Eyeball Camera



Features

- 1/3" 3Megapixel progressive scan CMOS
- H.264&MJPEG dual-stream encoding
- Max 20fps@3M(2048× 1536)&25/30fps@1080P(1920× 1080) DWDR,
- Day/Night(ICR), 3DNR, AWB, AGC, BLC
- Multiple network monitoring: Web viewer, CMS(DSS/PSS) & DMSS
- 3.6mm fixed lens
- Max. IR LEDs Length 30m
- IP67, PoE

IPC-EB133M-IR-2.8

3MP Full HD Network Small IR Eyeball Camera

Technical Specifications

Model	IPC-EB133M-IR-3.6MM	
Camera		
Image Sensor	1/3" 3Megapixel progressive scan CMOS	
Effective Pixels	2048(H) × 1536(V)	
Scanning System	Progressive	
Electronic Shutter Speed	Auto/Manual, 1/3(4)s~1/30000s	
Min. Illumination	0. 1Lux/F2.0(Color), 0Lux/F2.0(IR on)	
S/N Ratio	More than 50dB	
Video Output	N/A	
Camera Features		
Max. IR LEDs Length	30m	
Day/Night	Auto(ICR)/Color/B/W	
Backlight Compensation	BLC / HLC / DWDR	
White Balance	Auto/Manual	
Gain Control	Auto/Manual	
Noise Reduction	3D	
Privacy Masking	Up to 4 areas	
Lens		
Focal Length	3.6mm	
Max Aperture	F2.1(F2.0)	
Focus Control	Manual	
Angle of View	H: 92°(81°)	
Lens Type	Fixed lens	
Mount Type	Board-in Type	
Video		
Compression	H.264/ H.264H/ H.264B/ MJPEG	
Resolution	3M(2048×1536)/1080P(1920×1080)/720P(1280×720)/ D1(704×576/704×480) /CIF(352×288/352×240)	
Frame Rate	Main Stream	3M(1 ~ 20fps)/1080P(1 ~ 25/30fps)
	Sub Stream	D1(1 ~ 25/30fps)
Bit Rate	H.264: 4kbps~8192bps	
Corridor Mode	Support	
Audio		
Compression	N/A	
Interface	N/A	
Network		
Ethernet	RJ-45 (10/100Base-T)	
Wi-Fi	N/A	
Protocol	IPv4/IPv6, HTTP, HTTPS, TCP/IP, UDP, UPnP, ICMP, IGMP, RTSP, RTP, SMTP, NTP, DHCP, DNS, PPPOE, DDNS, FTP, IP Filter, QoS	
Compatibility	ONVIF Profile S & G, CGI	
Max. User Access	20 users	

IPC-EB133M-IR-3.6



3MP Full HD Network Small IR Eyeball Camera

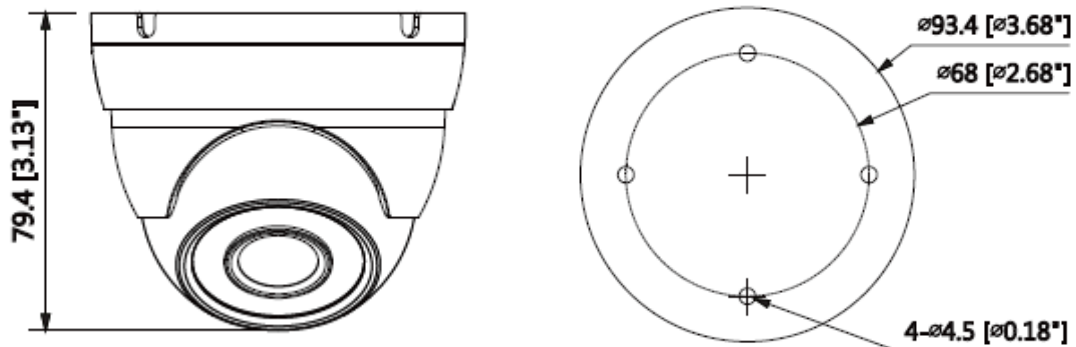
Smart Phone	iPhone, iPad, Android, Windows Phone
Auxiliary Interface	
Memory Slot	N/A
RS485	N/A
Alarm	N/A
PIR Sensor Range	N/A
General	
Power Supply	DC12V, PoE (802.3af)
Power Consumption	<3.7W(IR on)
Working Environment	-30°C~ +60°C, Less than 95% RH
Ingress Protection	IP67
Vandal Resistance	N/A
Dimensions	Φ108mm× 84mm
Weight	0.25Kg(with package 0.38Kg)



IPC-EB133M-IR-3.6

3MP Full HD Network Small IR Eyeball Camera

Dimensions (mm)



Accessories (optional)

		
PFA13A	PFB204W	PFA152

Winic Technologies USA Inc.
42 Central avenue, Farmingdale, New York 11735
Tel: +631-396-0800
Fax: +631-396-0805
Email: sales@winictech.com
www.winictech.com